

GLASS MERCHANDISE DISPLAY

Perlick Features

- Simple field installation
- Stainless steel insulated drain pan mounts to existing countertop
- Double pane glass panels front and back
- Stainless steel insulated end panels
- Dual drain system for end or bottom connections
- Lift-out stainless steel perforated pan inserts
- Easy to disassemble for cleaning.

MODELS

- GMDS14 X ____
- GMDS19 X ____
- GMDS24 X ____

____ = Length of unit in inches from the following options: 24, 30, 36, 42, 54, 60, 66 or 72



GMDS14X48

Form No. MM03
Rev. 11.20.2010

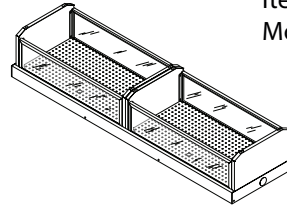
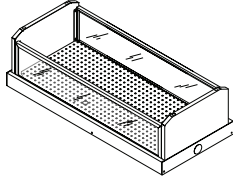


8300 West Good Hope Road • Milwaukee, WI 53223 • Phone 414.353.7060 • Fax 414.353.7069
Toll Free 800.558.5592 • E-Mail perlick@perlick.com • www.perlick.com

SYSTEMS AND PRODUCTS FOR THE FOOD SERVICE AND BEVERAGE INDUSTRIES SINCE 1917

Size and Specifications - Glass Merchandise Display

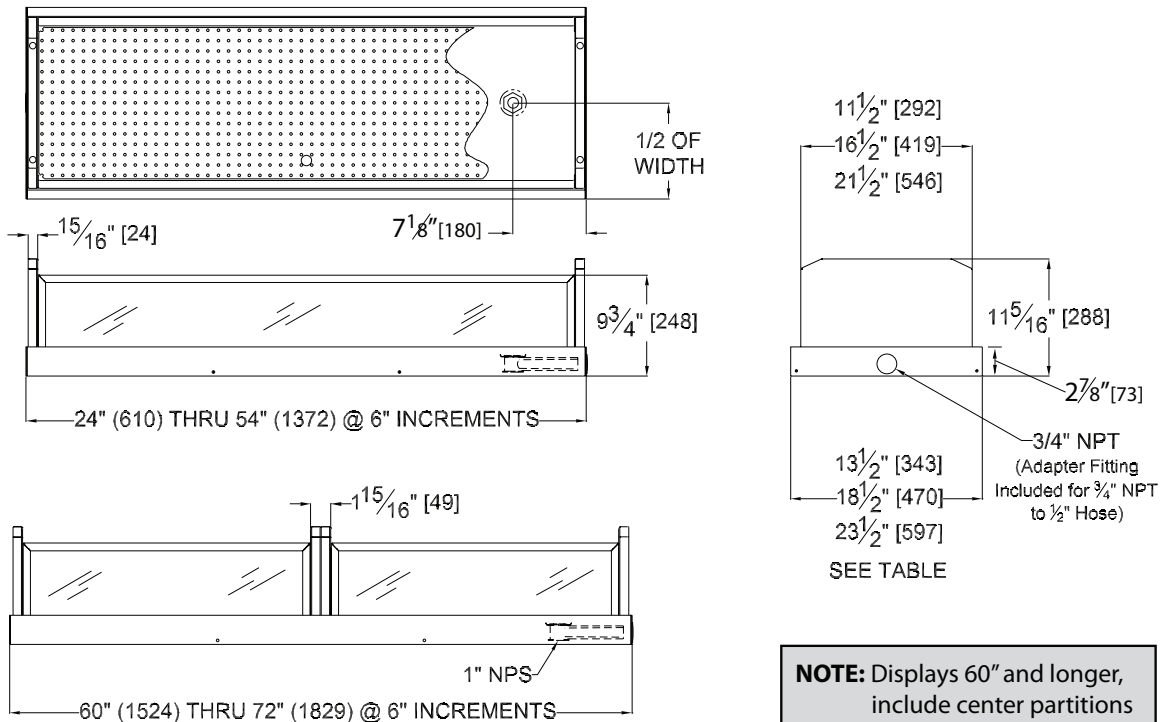
Job _____
 Area _____
 Item No. _____
 Model No. _____



MODEL NO.	GMDS14 X			GMDS19 X			GMDS24X		
Depth in. (mm)	13-1/2" (343)			18-1/2" (470)			23-1/2" (597)		
Height in. (mm)	11-15/16" (288)			11-15/16" (288)			11-15/16" (288)		
Length in. (mm)	PART NO.	Ship Wt. lbs. (kg)	*Bottle Capacity	PART NO.	Ship Wt. lbs. (kg)	*Bottle Capacity	PART NO.	Ship Wt. lbs. (kg)	*Bottle Capacity
24" (610)	GMDS14X24	60 (27)	32	GMDS19X24	70 (32)	48	GMDS24X24	75 (34)	64
20" (762)	GMDS14X30	65 (29)	44	GMDS19X30	75 (34)	66	GMDS24X30	80 (36)	88
36" (914)	GMDS14X36	70 (32)	52	GMDS19X36	80 (36)	78	GMDS24X36	85 (38)	104
42" (1067)	GMDS14X42	75 (34)	62	GMDS19X42	85 (38)	93	GMDS24X42	90 (40)	124
48" (1219)	GMDS14X48	80 (36)	72	GMDS19X48	90 (40)	108	GMDS24X48	95 (43)	144
54" (1372)	GMDS14X54	85 (38)	80	GMDS19X54	95 (43)	120	GMDS24X54	100 (45)	160
60" (1524)	GMDS14X60	90 (40)	88	GMDS19X60	100 (45)	132	GMDS24X60	110 (48)	176
66" (1676)	GMDS14X66	95 (43)	96	GMDS19X66	105 (48)	144	GMDS24X66	115 (52)	192
72" (1829)	GMDS14X72	100 (45)	104	GMDS19X72	110 (50)	156	GMDS24X72	120 (54)	208

CONSTRUCTION	Stainless steel construction with insulated drip pan and end panels. Framed double pane tempered glass.
DRAIN	3/4" NPT drain exits end or 1" NPS out bottom. Includes fittings to connect 1/2" I.D. hose.

* Bottle capacity estimate based on 12 oz. domestic beer bottle



Form No. MM03
 Rev. 11.12.2010



8300 West Good Hope Road • Milwaukee, WI 53223 • Phone 414.353.7060 • Fax 414.353.7069
 Toll Free 800.558.5592 • E-Mail perlick@perlick.com • www.perlick.com

Perlick is committed to continuous improvement. Therefore, we reserve the right to change specifications without prior notice