



24" SINGLE DOOR C-SERIES
REFRIGERATOR/FREEZER/WINE RESERVE



Chiller
(HC24FS)



Refrigerator
(HC24RS)



Wine Reserve
(HC24WS)

JOB
AREA
ITEM NO.
MODEL NO.



MODEL NO.
HC24FS
HC24RS
HC24WS

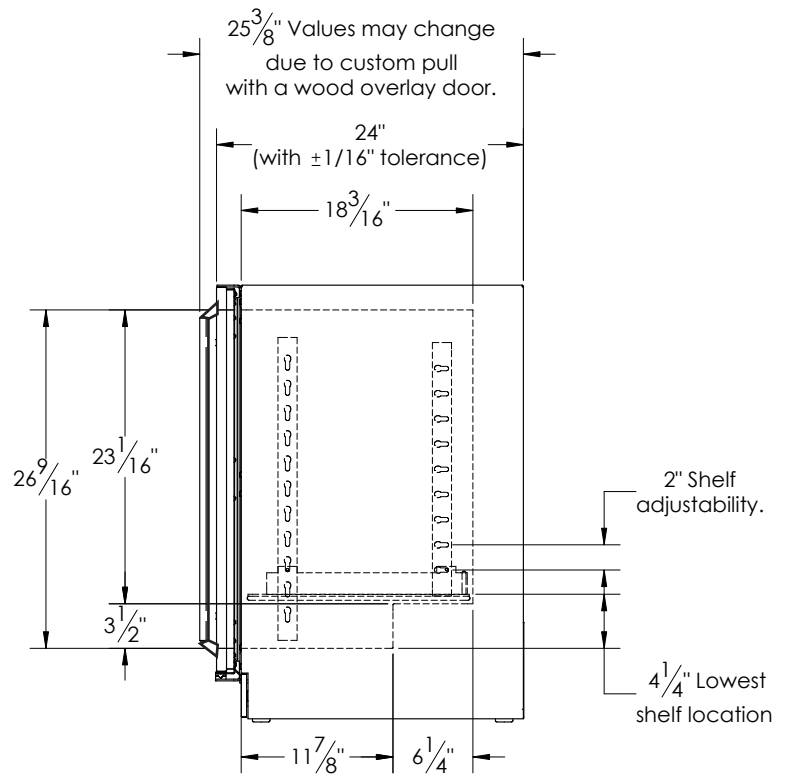
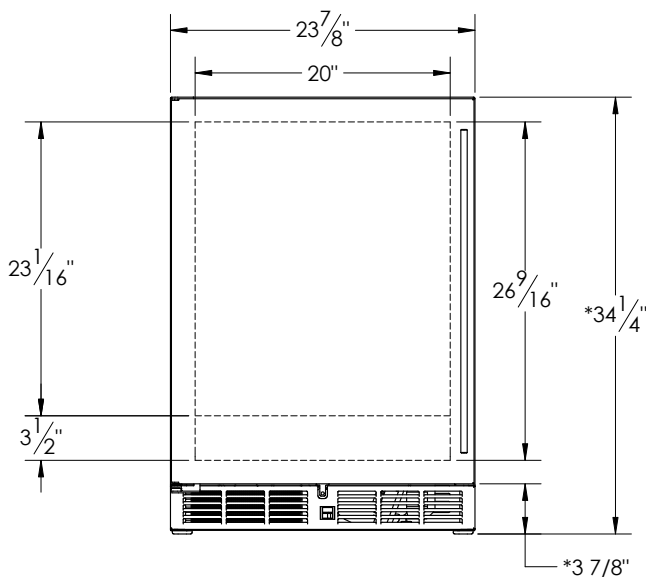
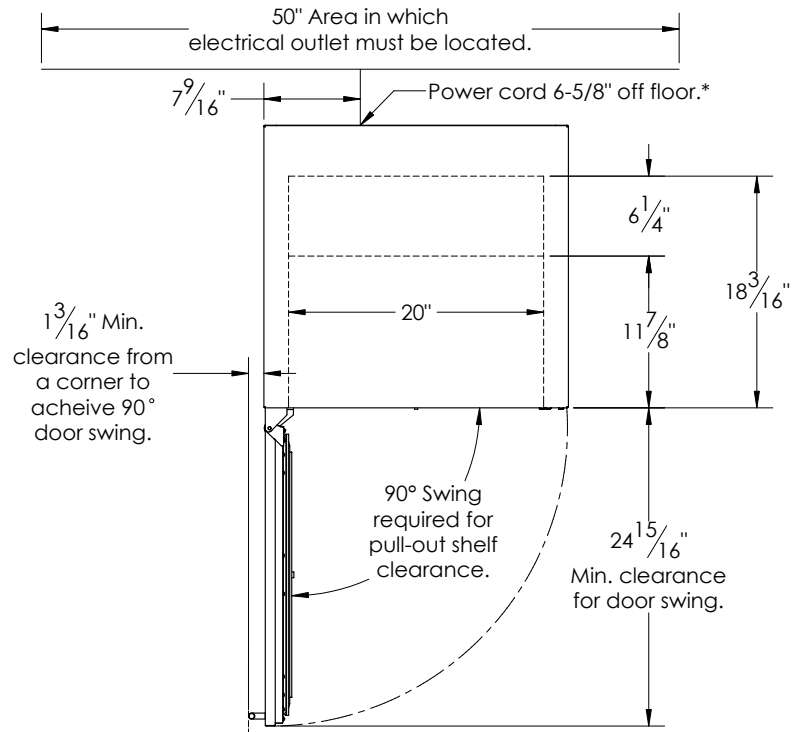
MODEL NO.		HC24RS	HC24FS	HC24WS
CABINET DIMENSIONS	Length Ins. (mm)	23-7/8" (606)	23-7/8" (606)	23-7/8" (606)
	Depth Ins. (mm)	24" (610)	24" (610)	24" (610)
	Height Ins. (mm)	34" (864)	34" (864)	34" (864)
SHIP WEIGHT LBS. (KG)		185 (83)	195 (88)	205 (92)
CAPACITY CU. FT. (L.) [PRODUCT*]		5.3 (150) [5 cases]	5.3 (150) [86 glasses]	5.3 (150) [32 wine bottles]
SHELVING		2 black vinyl-coated full-extension shelf (adjustable)	2 black vinyl-coated full-extension shelf (adjustable)	4 black vinyl-coated full-extension wine shelves that hold 8 wine bottles each (750 ml.) (adjustable)
TEMPERATURE SETTINGS F°(C)		Range 30°(-1.1°) - 42°(5.5) Factory Set Point 38° (3.3°)	-10°(-23.3) - 10°(-12.2) Factory Set Point 0° (-17.8°)	40°(4.4°) - 68°(20) Factory Set Point 45° (7.2°)
CABINET CONSTRUCTION (INT.)		Interior Stainless Steel		
CABINET CONSTRUCTION (EXT.)		Exterior Sides, Exterior Top and Grill Stainless Steel Exterior Back and Exterior Bottom Galvanized Door Exterior Customer Choice (see below under 'Customer Options')		
CABINET INSULATION		Polyurethane-Ecomate. Wall Thickness-2" Door, Drawer Thickness-2" (solid stainless steel only)		
DOORS, HINGING & HARDWARE		Number of Doors 1 Opening Style Hinged (Left or Right) Door Style Solid or Glass Door Swing Clearance 25" (635) Locks Available (factory installed)		
CONDENSING UNIT		H.P. 1/6 Condenser Access Front		
REFRIGERATION		Refrigerant R134a Expansion Device Capillary Tube Type w/Hermetic Compressor Defrost Chiller equipped w/automatic 4-hour hot gas defrost cycle and manual 6-hour defrost with auto restart (HC24FS model only)		
PLUMBING		None required. Moisture drains to self evaporating condensate pan		
ELECTRICAL		Electrical Supply 115V/60 Hz/1 Phase Running Load Amps 2.3 Cord Connection Cord Connected (3-prong 6' NEMA 5-15P) Thermostat Electro-Mechanical Lighting Type Incandescent		
VENTILATION		Front-vented		
CUSTOMER OPTIONS		Door Finishes Black Vinyl Clad (B), Laminated (L), Field Laminated (F), Stainless (S), Laminated over Black (X), Laminated over Stainless Steel (U), Glass w/Black Frame (G), Glass w/Stainless Steel Frame (T), Glass w/Laminate (over black frame)(A), Glass w/Laminate (over stainless steel frame)(W) Door Handle Options 24" full length stainless steel, 24" full length polished brass, Classic 6" chrome w/black vinyl grip, Classic 6" polished brass w/black vinyl grip, 12" stainless steel, 12" polished brass, tab handle (top mount, stainless steel) NOTE: Glass option not available for freezer		
ADDITIONAL ACCESSORIES		Casters 3.75" (Part No. 66736) Legs 4"-5" (Part No. 66734), 6"-7.25" (Part. No 66735)		

*Product capacity based on 12 oz. long neck bottles (Refrigerator), 3" diameter glass size (Freezer) and 750 ml. wine bottles (Wine Reserve)

NOTE: This equipment is intended for the storage and display of non-potentially hazardous bottled or canned products only!



24" SINGLE DOOR C-SERIES
REFRIGERATOR/FREEZER/WINE RESERVE



Form No. Z2365
Rev. 10.30.2015