



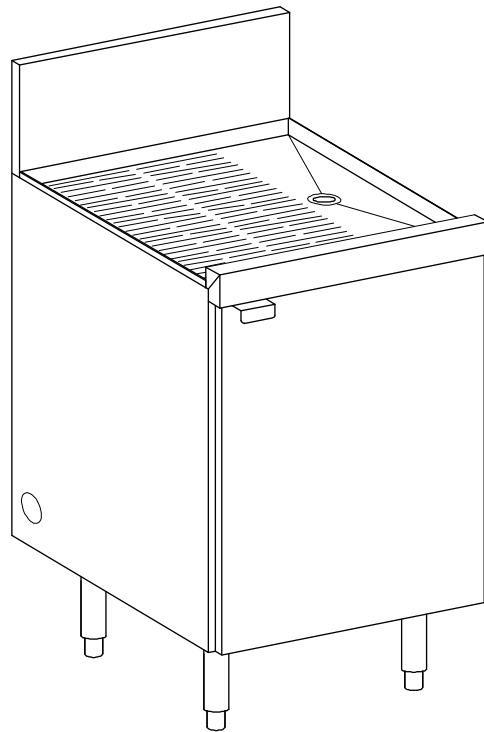
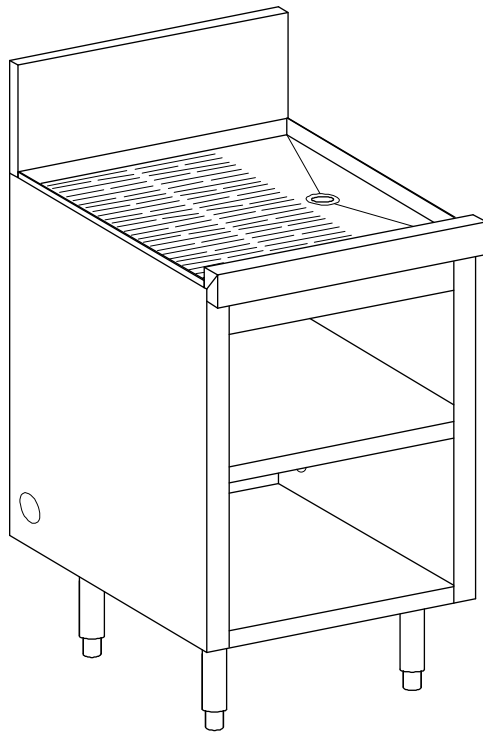
STORAGE CABINETS WITH FULL DRAINBOARD TOP (*TSD DEPTH*)

Perlick Features

- Embossed stainless steel drainboard.
- Adjustable stainless steel shelf.
- Optional door(s).

MODEL NOS.

- SC12
- SC18
- SC24
- SC30
- SC36
- SC48



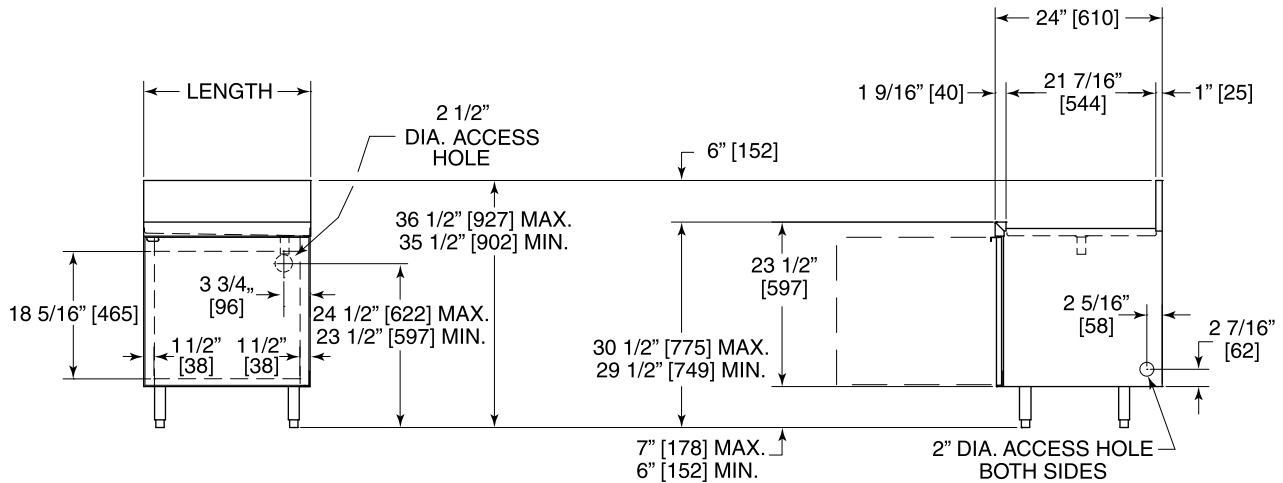
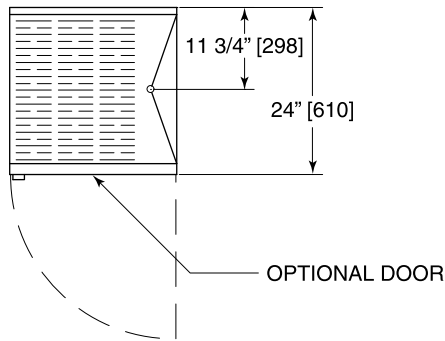
8300 West Good Hope Road • Milwaukee, WI 53223 • Phone 414-353-7060 • Fax 414-353-7069
Toll Free 800-558-5592 • E-Mail: Perlick@Perlick.com • www.Perlick.com



Sizes and Specifications Storage Cabinets with Full Drainboard Top (TSD Depth)

Job _____
 Area _____
 Item No. _____
 Model No. _____

MODEL NOS.	SC12	SC18	SC24	SC30	SC36	SC48
LENGTH INS. (mm)	12" (305)	18" (457)	24" (610)	30" (762)	36" (914)	48" (1219)
Ship wt lbs. (kg)	30 (14)	40 (18)	65 (30)	80 (36)	100 (45)	120 (54)
GENERAL PARTS	Stainless steel.					
BACKSPLASH	Stainless steel 6" high (4" high optional) with 1" return at top, mechanically fastened and sealed with steel support brackets.					
DRAINBOARD	Embossed stainless steel, 21 ⁷ / ₁₆ " deep front to back. All horizontal and vertical edges 1/4" radius with ballbed corners. Underside reinforced with welded brackets. Stainless steel drain socket.					
SHELF	Adjustable shelf is reinforced stainless steel.					
LEGS	1 ⁵ / ₈ " tubular, stainless steel with 1" adjustable stainless steel foot.					
PLUMBING	Drain connection - 1/2" NPS Male.					
DOOR(S) - OPTIONAL	Stainless steel outer and inner door panels. Dual magnetic catches per door. Note: Cabinets 30" or longer have two doors.					



8300 West Good Hope Road • Milwaukee, WI 53223 • Phone 414-353-7060 • Fax 414-353-7069
 Toll Free 800-558-5592 • E-Mail: Perlick@Perlick.com • www.Perlick.com

Perlick is committed to continuous improvement.
 Therefore, we reserve the right to change specifications without prior notice.

Form No. SB03
 Rev. 08.15.07