

MULTI-TANK/EXTRA CAPACITY SINKS

THREE AND FOUR TANK



MODELS

TS Series

TS543CA

TS724CA

MODELS

TSD Series

TSD543CA

TSD724CA



Perlick Features

- Additional capacity meets various regional health codes
- NSF listed, commercial grade hot/cold water faucet
- Underside is sound-deadened
- Stainless steel legs install without tools and have "Rust Free" thermoplastic feet



GENERATIONS OF
EXCELLENCE

Form No. SK09
09.19.2011

Perlick[®]

8300 West Good Hope Road • Milwaukee, WI 53223 • Phone 414.353.7060 • Fax 414.353.7069
Toll Free 800.558.5592 • E-Mail perlick@perlick.com • www.perlick.com

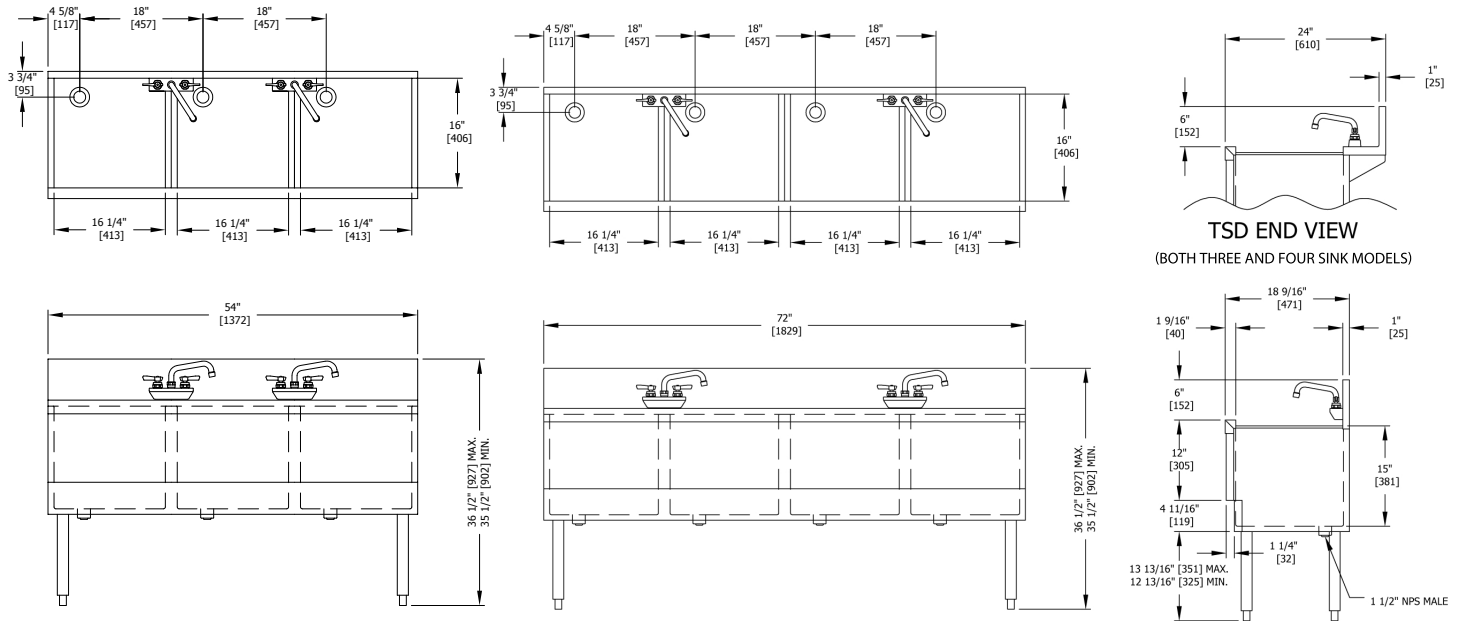
Size and Specifications

MULTI-TANK/EXTRA CAPACITY SINKS - THREE AND FOUR TANK



Job _____
 Area _____
 Item No. _____
 Model No. _____

MODEL NOS.	TS(D)543CA	TS(D)724CA
LENGTH IN. (mm)	54" (1372)	36" (1829)
NUMBER OF TANKS	3	4
SHIP WT. lbs. (kg)	205 (93)	255 (116)
GENERAL	All stainless steel parts	
FRONT LEDGE & APRON	20 gauge stainless steel	
BACKSPLASH	6" high (4" high optional) with 1" return at the top, mechanically fastened and sealed to hand sink top with steel support brackets. TS Series: 20 gauge stainless steel. TSD Series: 5-1/2" rear deck, 20 gauge stainless steel on backsplash and rear deck.	
ENDS, BACK & BOTTOM	Stainless steel	
LEGS	1-5/8" tubular, stainless steel with 1" adjustable thermoplastic foot.	
RINSE TANK	20 gauge stainless steel. 16"x16-1/4"x15" deep. All horizontal and vertical corners 1-1/2" radius. Furnished with 1-1/2" stainless steel drain socket and 12" standpipe. Includes sound deadening.	
WATER FAUCET	Hot and cold, heavy-duty all brass construction. Chrome plated. TS Series: Wall mount with 6" swing spout. TSD Series: Deck-mount with 6" swing spout.	
PLUMBING	Drain connection: 1-1/2" NPS male. Hot and cold water connection 1/4" NPT female.	
ACCESSORIES	Optional Lead Free Faucet available for both 3 & 4 sink models.	



Form No. SK09
09.19.2011



8300 West Good Hope Road • Milwaukee, WI 53223 • Phone 414.353.7060 • Fax 414.353.7069
 Toll Free 800.558.5592 • E-Mail perlick@perlick.com • www.perlick.com

Perlick is committed to continuous improvement. Therefore, we reserve the right to change specifications without prior notice