

FOUR TANK SINKS – STAINLESS STEEL BOWLS



MODELS

TS Series

TS44C

TS64C

TS74C

TS84C

TS94C

MODELS

TSD Series

TSD44C

TSD64C

TSD74C

TSD84C

TSD94C



Perlick Features

- Deep drawn stainless steel bowls
- NSF listed, commercial grade hot/cold water faucet (must be ordered separately)
- Embossed stainless steel drainboard
- Underside is sound-deadened
- Stainless steel legs install without tools and have “Rust Free” thermoplastic feet



GENERATIONS OF
EXCELLENCE

Form No. SK05
Rev. 09.19.2011

Perlick[®]

8300 West Good Hope Road • Milwaukee, WI 53223 • Phone 414.353.7060 • Fax 414.353.7069
Toll Free 800.558.5592 • E-Mail perlick@perlick.com • www.perlick.com

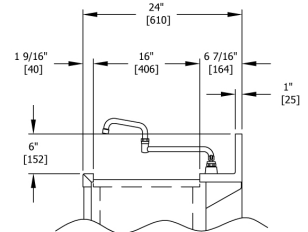
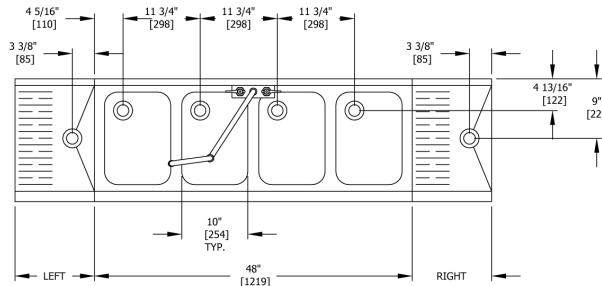
Size and Specifications

MULTI-TANK/EXTRA CAPACITY SINKS - THREE AND FOUR TANK

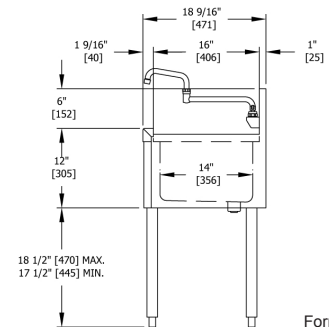
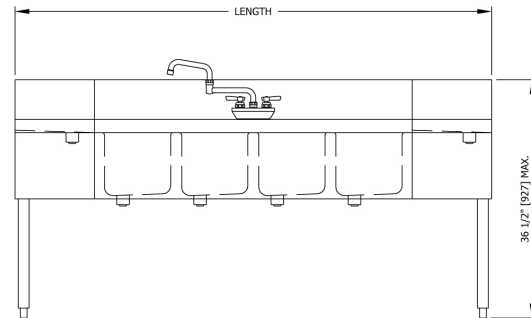
Job _____
 Area _____
 Item No. _____
 Model No. _____



MODEL NOS.	TS(D)44C	TS(D)64C	TS(D)74C	TS(D)84C	TS(D)94C
LENGTH IN. (mm)	48" (1219)	72" (1829)	84" (2134)	96" (2438)	108" (2743)
SHIP WT. lbs. (kg)	125 (57)	150 (68)	165 (75)	200 (91)	220 (100)
DRAINBOARD LENGTHS	N/A	Left/Right	Left/Right	Left/Right	Left/Right
DRAINBOARD LENGTHS IN. (mm)	N/A	12" (305) each side	18" (458) each side	24" (610) each side	30" (762) each side
FRONT & SIDES	Stainless steel				
BACK & BOTTOM	Stainless steel				
BACKSPLASH	Stainless steel 6" high (4" high optional) with 1" return at the top, mechanically fastened and sealed to hand sink top with steel support brackets. TSD Series: Stainless steel rear deck				
LEGS	1-5/8" tubular, stainless steel with 1" adjustable thermoplastic foot.				
DRAINBOARD	Embossed stainless steel, 16" deep front to back with 1-1/2" stainless steel drain socket. All horizontal and vertical edges 1/4" radius with balled corners. Underside sound deadened and reinforced with welded brackets.				
BOWLS	Stainless steel with sound deadening. 10"x14"x9-1/4" deep. All horizontal and vertical edges 1-1/2" radius with balled corners. Furnished with 1-1/2" stainless steel drain socket. 8-1/2" standpipe.				
WATER FAUCET	Chrome plated, hot and cold, 18" double-jointed swing spout faucet. Heavy-duty all brass construction. Must be ordered separately.				
PLUMBING	Drain connection: 1-1/2" NPS male. Hot and cold water connection TS Series: 3/8" copper supply tubes TSD Series: 1/2" IPS shanks and nuts				
OPTIONAL ACCESSORIES	18" Double Jointed Swing Spouts (wall or deck mounted, also available Lead-Free) Drain Connection Kit, Wet Waste Pan (drains into standpipe)				



TSD VIEW



Form No. SK05
 Rev. 09.19.2011

**Faucet shown for clarity;
 must be ordered separately*



8300 West Good Hope Road • Milwaukee, WI 53223 • Phone 414.353.7060 • Fax 414.353.7069
 Toll Free 800.558.5592 • E-Mail perlick@perlick.com • www.perlick.com

Perlick is committed to continuous improvement. Therefore, we reserve the right to change specifications without prior notice