

# MULTI-TANK/EXTRA CAPACITY SINKS

## SINGLE AND TWO TANK



### MODELS

TS Series

TS181CA

TS362CA

### MODELS

TSD Series

TSD181CA

TSD362CA



### Perlick Features

- Additional capacity meets various regional health codes
- NSF listed, commercial grade hot/cold water faucet
- Underside is sound-deadened
- Stainless steel legs install without tools and have "Rust Free" thermoplastic feet



GENERATIONS OF  
EXCELLENCE

Form No. SK08  
Rev. 09.19.2011

**Perlick**<sup>®</sup>

8300 West Good Hope Road • Milwaukee, WI 53223 • Phone 414.353.7060 • Fax 414.353.7069  
Toll Free 800.558.5592 • E-Mail [perlick@perlick.com](mailto:perlick@perlick.com) • [www.perlick.com](http://www.perlick.com)

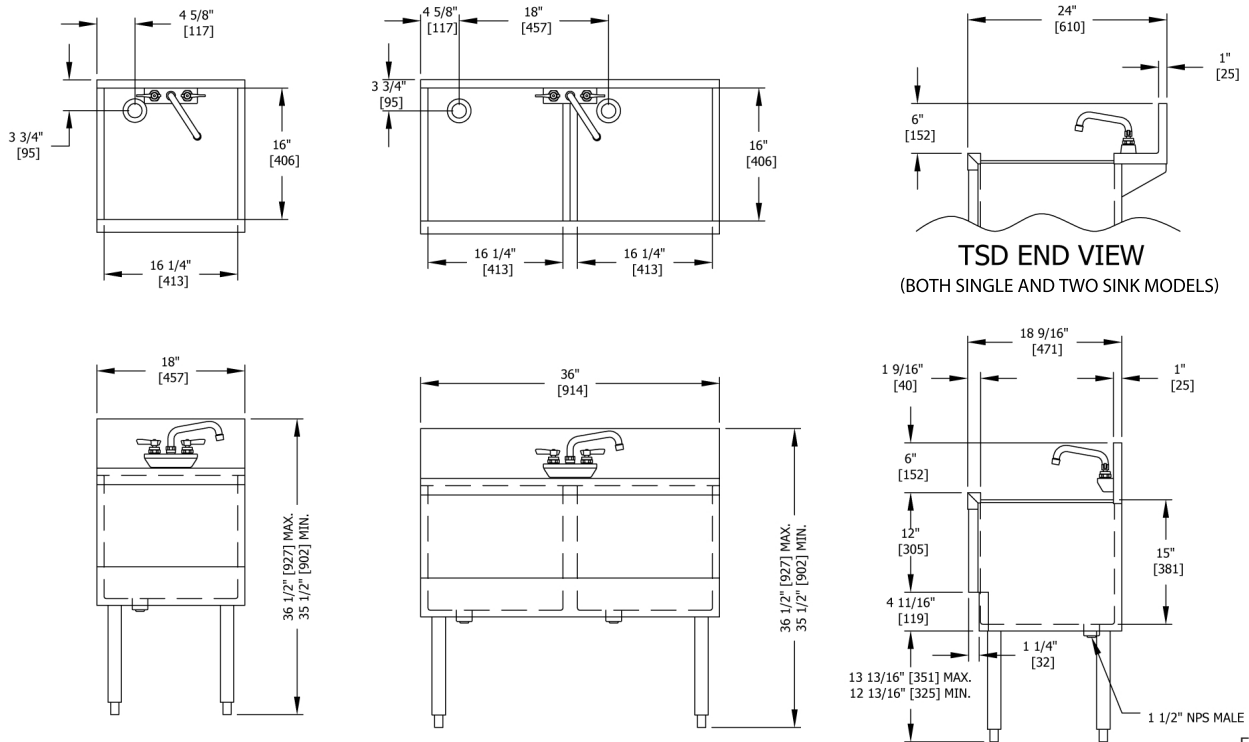
# Size and Specifications

MULTI-TANK/EXTRA CAPACITY SINKS - SINGLE AND TWO TANK

Job \_\_\_\_\_  
 Area \_\_\_\_\_  
 Item No. \_\_\_\_\_  
 Model No. \_\_\_\_\_



MODEL NOS.	TS(D)181CA	TS(D)362CA
LENGTH IN. (mm)	18" (457)	36" (914)
NUMBER OF TANKS	1	2
SHIP WT. lbs. (kg)	105 (48)	155 (70)
GENERAL	All stainless steel parts	
FRONT LEDGE & APRON	20 gauge stainless steel	
BACKSPLASH	6" high (4" high optional) with 1" return at the top, mechanically fastened and sealed to hand sink top with steel support brackets. <b>TS Series:</b> 20 gauge stainless steel. <b>TSD Series:</b> 5-1/2" rear deck, 20 gauge stainless steel on backsplash and rear deck.	
ENDS, BACK & BOTTOM	Stainless steel	
LEGS	1-5/8" tubular, stainless steel with 1" adjustable thermoplastic foot.	
RINSE TANK	20 gauge stainless steel. 16"x16-1/4"x15" deep. All horizontal and vertical corners 1-1/2" radius. Furnished with 1-1/2" stainless steel drain socket and 12" standpipe. Includes sound deadening.	
WATER FAUCET	Hot and cold, heavy-duty all brass construction. Chrome plated. <b>TS Series:</b> Wall mount with 6" swing spout. <b>TSD Series:</b> Deck-mount with 6" swing spout.	
PLUMBING	Drain connection: 1-1/2" NPS male. Hot and cold water connection 1/4" NPT female.	
ACCESSORIES	Optional Lead Free Faucet available for both 1 & 2 sink models.	



Form No. SK08  
 Rev. 09.19.2011



8300 West Good Hope Road • Milwaukee, WI 53223 • Phone 414.353.7060 • Fax 414.353.7069  
 Toll Free 800.558.5592 • E-Mail perlick@perlick.com • www.perlick.com

Perlick is committed to continuous improvement. Therefore, we reserve the right to change specifications without prior notice