

CORNER FILLER SECTIONS INSIDE CORNER DRAINBOARDS



Perlick Features

- Embossed stainless steel drainboard.
- Underside reinforced.

MODEL NOS.

TS Series

TS24LIC

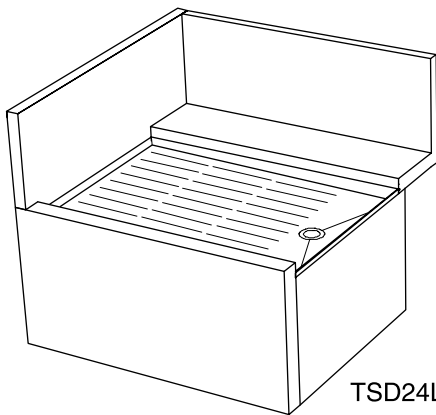
TS24RIC

MODEL NOS.

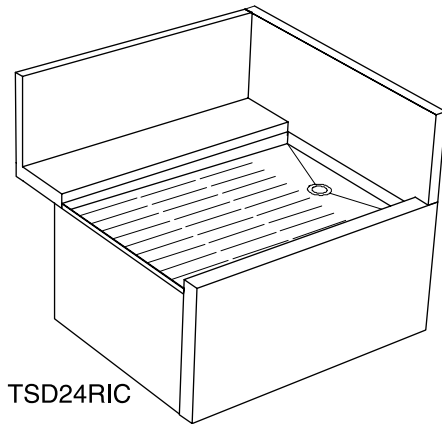
TSD Series

TSD24LIC

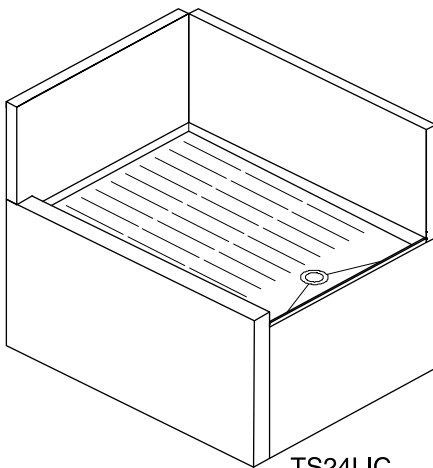
TSD24RIC



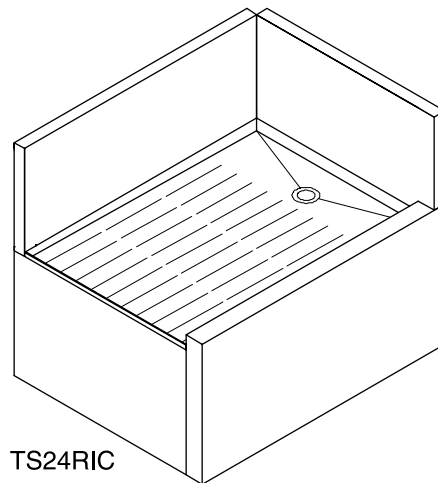
TSD24LIC



TSD24RIC



TS24LIC



TS24RIC



8300 West Good Hope Road • Milwaukee, WI 53223 • Phone 414-353-7060 • Fax 414-353-7069
Toll Free 800-558-5592 • E-Mail: Perlick@Perlick.com • www.Perlick.com

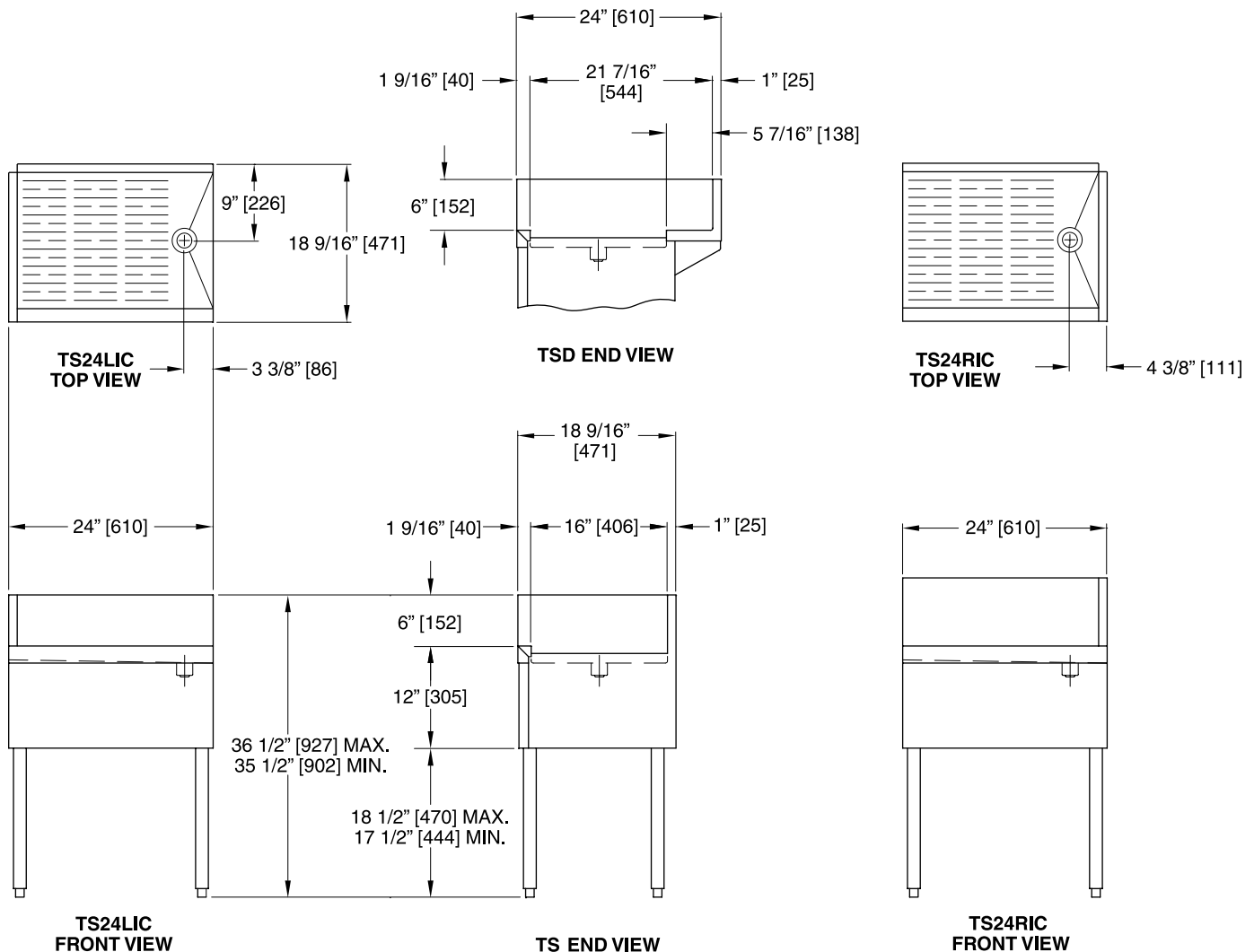
Form No. CF05
Rev. 03.30.05



Sizes and Specifications - Corner Filler Sections Inside Corner Drainboards

Job _____
 Area _____
 Item No. _____
 Model No. _____

MODEL NOS.	TS24LIC	TSD24LIC	TS24RIC	TSD24RIC
DESCRIPTION	90° Left	90° Left	90° Right	90° Right
SHIP WT. lbs. (kg)	50 (23)	50 (23)	50 (23)	50 (23)
FRONT & SIDES	Stainless steel.			
BACKSPLASH	TS and General: Stainless steel 6" high (4" high optional) with 1" return at top, mechanically fastened and sealed with steel support brackets. TSD Series: Stainless steel rear deck.			
DRAINBOARD	Embossed stainless steel. All horizontal and vertical edges 1/4" radius with balled corners. Underside reinforced with welded brackets. TS Series: 16" deep front to back. TSD Series: 21 7/16" front to back. Stainless steel drain socket.			
LEGS	1 5/8" tubular, stainless steel with 1" adjustable thermoplastic foot.			
PLUMBING	Drain connection - 1 1/2" NPS Male.			



8300 West Good Hope Road • Milwaukee, WI 53223 • Phone 414-353-7060 • Fax 414-353-7069
 Toll Free 800-558-5592 • E-Mail: Perlick@Perlick.com • www.Perlick.com

Perlick is committed to continuous improvement.
 Therefore, we reserve the right to change specifications without prior notice.

Form No. CF05
 Rev. 03.30.05