



The Signature of Quality

FEDERAL INDUSTRIES

A Standex Company
215 Federal Avenue
Belleville, WI 53508-9201

Phone: 800-356-4206
Fax: 608-424-3234
Email: geninfo@federalind.com
Website: www.federalind.com

Project Name: _____

Item #: _____

Model #: _____ Qty: _____

Approval: _____

AIA#

SIS#

CURVED GLASS NON-REFRIGERATED BAKERY CASE

Sleek curved-glass styling blends with traditional design elements to maximize performance. Designed for continuous case line-ups without middle end glass.



Table with 2 columns: MODEL and DIMENSIONS (Includes End Panels). Rows include models like CGD3148, CGD3642, CGD3648, CGD5042, CGD5048, CGD5942, CGD5948, CGD7742, and CGD7748 with their respective dimensions in inches and millimeters.

STANDARD FEATURES

Model Features

- Curved glass styling.
• Tempered tilt-out front glass for easy cleaning. Front glass is curved for high visual product display.
• Tempered glass ends and doors.
• Removable sliding rear doors, shelf lights, shelf supports, and shelves.
• 31" and 36" have two swing doors.
• Steel base construction with a choice of six standard laminates on base. Other finishes optional.
• Scratch-resistant, corrosion-proof white vented display deck.
• Designed for continuous line-ups.
• Black trim.
• Adjustable Leg Levelers

Shelving

- Adjustable white wire shelves. Shelves are adjustable up and down and can also be tilted in three positions. 48" models have three tiers of shelves; 42" models have two tiers of shelves.

Lighting

- 3500K LED top light and shelf lights.
• DLC Certified, IP66 rated

Agency Approvals

- UL Safety and UL Sanitation listed
• DOE 2017 Compliant.

OPTIONAL ACCESSORIES

- Special Base Finish
□ Rear Wrapping Board
□ Cord & Plug (NEMA 5-15P)
□ Fan Kit
□ Glass, Black, Gold, or Chrome Shelves
□ Reflective Ends
□ White or Mirrored Interior
□ Ends with Laminated Exterior
□ Reflective Rear Doors
□ Casters (Cord & Plug Included)
□ Top Cutting Board, White
□ Package Shelf
□ Light Below Package Shelf
□ Front Glass & Rear Door Locks
□ Joining Kit for Continuous Line-ups
□ Hot Display Packages
□ Legs



WARRANTY*
One year Parts and Labor
2nd thru 5th year part only service compressor
(U.S.A and Canada)

Note: Information is subject to change at any time. Visit www.federalind.com for the most current specs.

AIA#

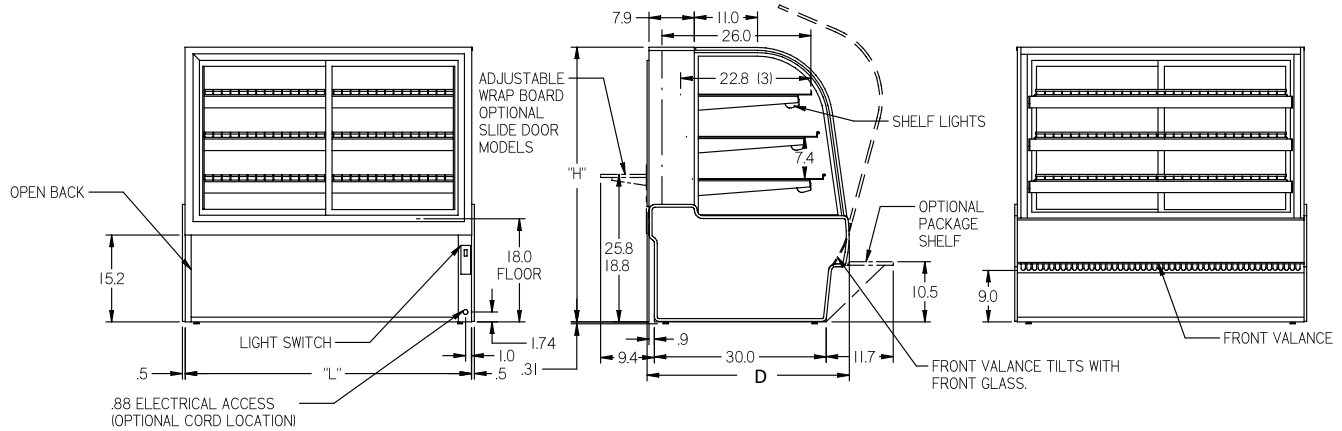
CURVED GLASS NON-REFRIGERATED BAKERY CASE

SIS#

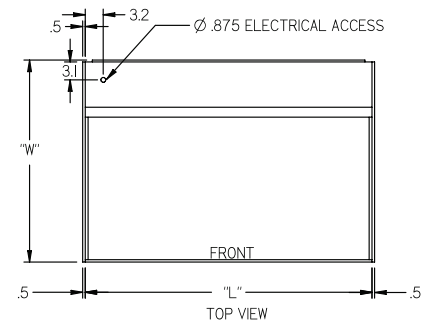
Product Specifications

DIMENSION: xx"/(mm)

DIMENSION TOLERANCE +/- 0.25 (6.4)



MODEL	DIMENSIONS				CAPACITY (BAKERY PAN)	REMOTE 120/60/1
	L	D	H1	UNITS		
CGD3148	31.13	35.31	48	in.	4 (18" X 26") & 4 (9" X 26")	1.5 AMPS
	791	897	1219	mm.		
CGD3642	36.13	35.31	42	in.	3 (18" X 26") & 3 (9" X 26")	1.5 AMPS
	918	897	1067	mm.		
CGD3648	36.13	35.31	48	in.	4 (18" X 26") & 4 (9" X 26")	1.5 AMPS
	918	897	1219	mm.		
CGD5042	50.13	35.31	42	in.	6 (18" X 26") & 3 (9" X 26")	1.5 AMPS
	1273	897	1067	mm.		
CGD5048	50.13	35.31	48	in.	8 (18" X 26") & 4 (9" X 26")	1.5 AMPS
	1273	897	1219	mm.		
CGD5942	59.13	35.31	42	in.	9 (18" X 26")	1.5 AMPS
	1502	897	1067	mm.		
CGD5948	59.13	35.31	48	in.	12 (18" X 26")	1.5 AMPS
	1502	897	1219	mm.		
CGD7742	77.13	35.31	42	in.	12 (18" X 26")	1.5 AMPS
	1959	897	1067	mm.		
CGD7748	77.13	35.31	48	in.	16 (18" X 26")	1.5 AMPS
	1959	897	1219	mm.		



- If a GFCI circuit is required, a GFCI Breaker MUST be used instead of GFCI receptacle.
- Due to continuing engineering improvements, specifications are subject to change without notice.



The Signature of Quality®

FEDERAL INDUSTRIES

A Standex Company

215 Federal Avenue Belleville, Wisconsin 53508-9201

Phone: 800-356-4206

Fax: 608-424-3234

Email: Geninfo@Federalind.com

Website: Federalind.com