



a Standex company

Item _____

HI-STYLE NON-REFRIG. BAKERY CASE MODEL CGHIS-2



An attractive curved glass merchandiser that is ideal for high-turnaround with convenient product access. Designed for continuous line-ups.

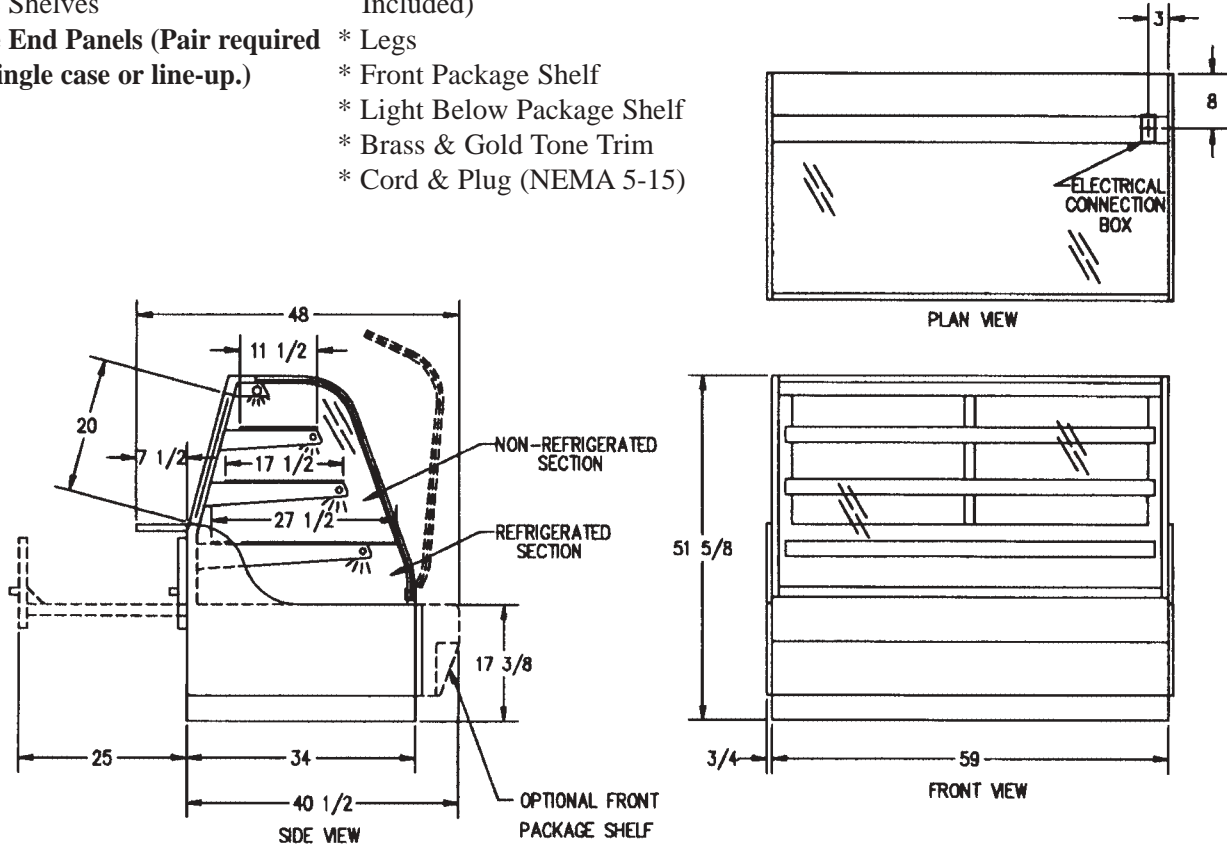
STANDARD FEATURES

- Hinged curved front safety glass edged in black.
- Frameless glass-on-glass construction.
- Three cantilevered glass shelves plus three pull-out drawers for product display.
- Glass ends and rear doors.
- Rear doors and pull-out drawers are removable.
- All welded steel base construction with a choice of six standard laminates on base. Other finishes optional.
- Satin finish stainless steel and aluminum trim. Brass and gold tone optional.
- Rear wrapping board.
- End panels and rear wrapping board are removable to allow the case to fit through a 36" door.
- Octron top light and shelf lights. Lights are shielded.
- Vent system to reduce heat build-up from the lights.

HI-STYLE NON-REFRIGERATED BAKERY CASE

OPTIONAL ACCESSORIES:

- * Special Base Finish
- * Reflective Ends
- * Reflective Doors
- * Wire Shelves
- * Case End Panels (Pair required for single case or line-up.)
- * Front Glass & Rear Door Locks
- * Casters (Cord & Plug Included)
- * Legs
- * Front Package Shelf
- * Light Below Package Shelf
- * Brass & Gold Tone Trim
- * Cord & Plug (NEMA 5-15)



SPECIFICATIONS:

Model	Dimensions			Shipping Weight (lbs)	Capacity (Bakery Pans)	Power 120/60/1
	L	W	H			
CGHIS-2	59"	34"	51 5/8"	910	8 Full / 2 Half	1.5 AMPS

- Due to continuing engineering improvements, specifications are subject to change without notice.



Look to Federal for Innovative Merchandising



Federal Industries
A Standex Company
215 Federal Avenue
Belleville WI 53508-0290
Phone: 800-356-4206
Fax: 608-424-3234
Email: geninfo@federalind.com
Web Site: www.federalind.com