



a Standex company

Item _____

HI-STYLE REFRIGERATED DELI CASE MODEL CGHIS-4



An attractive curved glass merchandiser that is ideal for high-turnaround with convenient product access. Designed for continuous line-ups.

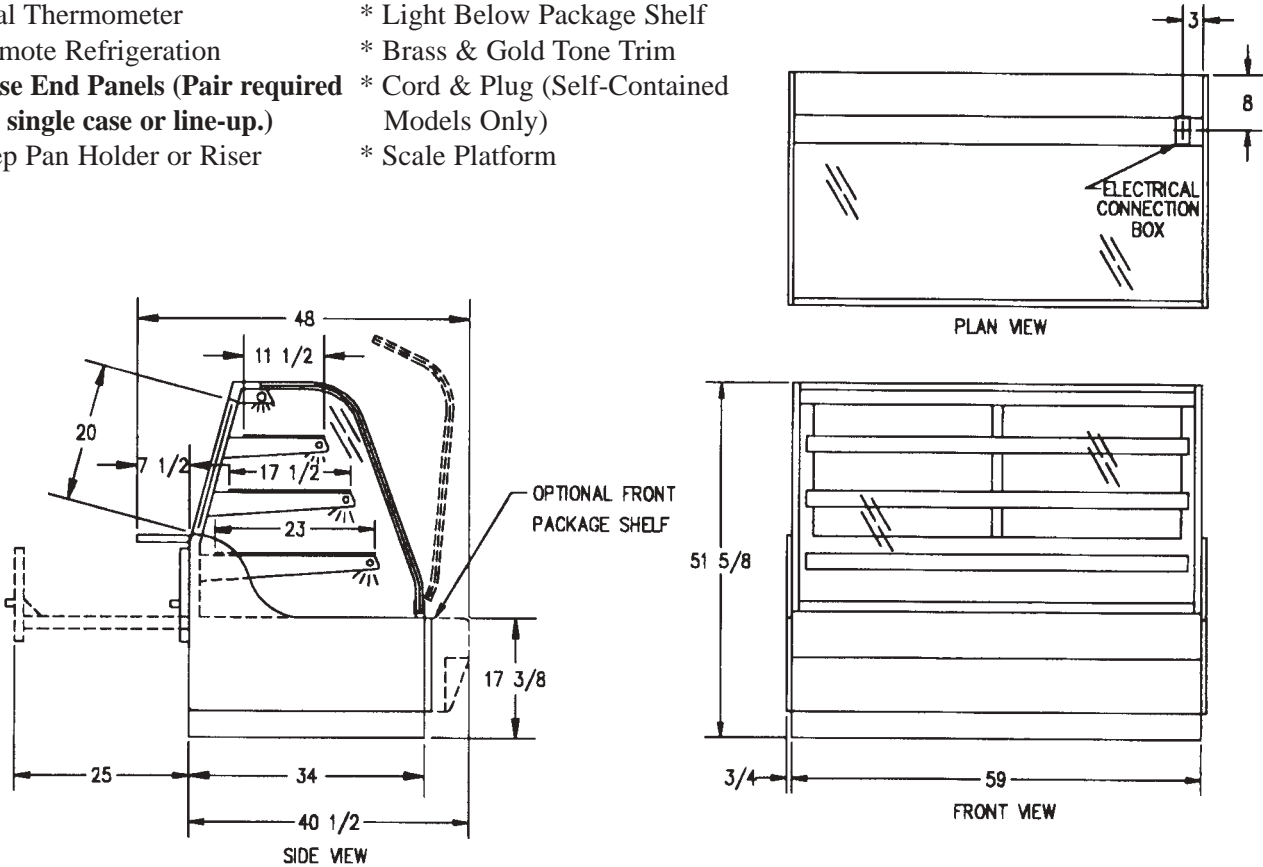
STANDARD FEATURES

- Hinged thermopane curved front glass. Edged in black.
- Frameless glass-on-glass construction.
- Three cantilevered glass shelves plus three pull-out drawers for product display.
- Thermopane glass ends and rear doors.
- Rear doors and pull-out drawers are removable.
- All welded steel base construction with a choice of six standard laminates on base. Other finishes optional.
- Satin finish stainless steel and aluminum trim. Brass and gold tone optional.
- Rear wrapping board.
- End panels and rear wrapping board are removable to allow the case to fit through a 36" door.
- Octron top light and mezzanine shelf lights. Lights are shielded.
- Condensate evaporator provided for a totally self-contained system.
- Average case temperature of 36°F to 40°F is maintained.
- Easily accessible light switch and adjustable temperature control.
- Over-sized coil and low-velocity fan system maintains high humidity and product freshness.
- Pull-out refrigeration assembly for easy service.

HI-STYLE REFRIGERATED DELI CASE

OPTIONAL ACCESSORIES:

- * Special Base Finish
- * Reflective Ends
- * Reflective Doors
- * Dial Thermometer
- * Remote Refrigeration
- * Case End Panels (Pair required for single case or line-up.)
- * Step Pan Holder or Riser
- * Front Glass & Rear Door Locks
- * Wire Shelves
- * Front Package Shelf
- * Light Below Package Shelf
- * Brass & Gold Tone Trim
- * Cord & Plug (Self-Contained Models Only)
- * Scale Platform



SPECIFICATIONS:

Model	Dimensions			Shipping Weight (lbs)	Power 120/60/1	Remote 120/20/1
	L	W	H			
CGHIS-4	59" x 34" x 51 5/8"			1,020	1/2 HP - 11 AMPS	4.0 AMPS

- Cases are designed to operate in a maximum environment of 75° ambient and 55% relative humidity.
- Due to continuing engineering improvements, specifications are subject to change without notice.



Look to Federal for Innovative Merchandising



Federal Industries
A Standex Company
215 Federal Avenue
Belleville WI 53508-0290
Phone: 800-356-4206
Fax: 608-424-3234
Email: geninfo@federalind.com
Web Site: www.federalind.com