



a Standex company

ITEM: _____ PROJECT NAME: _____ DATE: _____

CURVED GLASS SEAFOOD & FISH MAXI CASE

- MODEL** **MCG-454-DF**
 MCG-654-DF
 MCG-854-DF
 MCG-1054-DF



The Maxi Seafood and Fish Case delivers full-size capacity with sleek curved-glass style to maximize performance. Cases available in lengths of 4', 6', 8' and 10'. Designed for continuous line-ups.

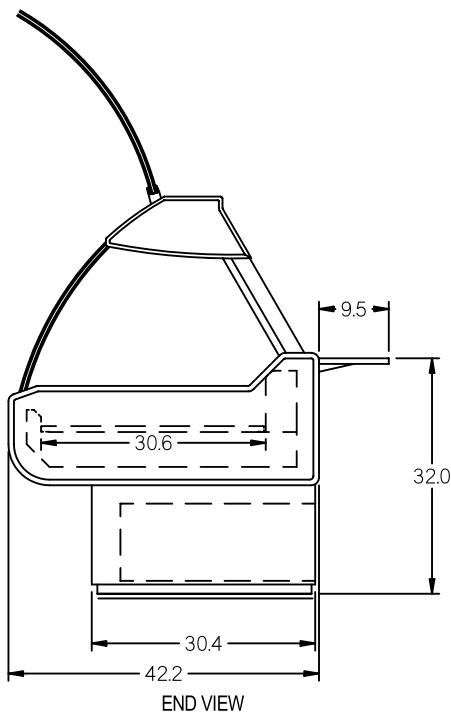
STANDARD FEATURES

- Lift-up, pneumatic, cylinder-assisted, tempered thermopane curved front glass.
- Tempered end glass and rear doors.
- Stainless steel ice pan with drain.
- Fold-down rear wrapping board.
- Coated evaporator coil.
- Adjustable temperature control.
- Thermometer.
- Self-contained refrigeration system. Remote refrigeration available.
- Stainless steel exterior finish. Laminated finishes available.
- Gravity coil.
- UL Safety and Sanitation Listed.
- Decorative end panels and front bumper rail available in white, black, gray and green.
- Designed for continuous case line-ups.
- Appliance receptacle provided on back.

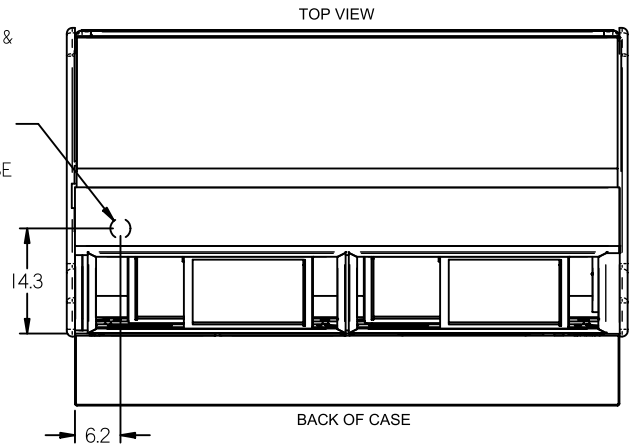
CURVED GLASS SEAFOOD & FISH MAXI CASE

OPTIONAL ACCESSORIES:

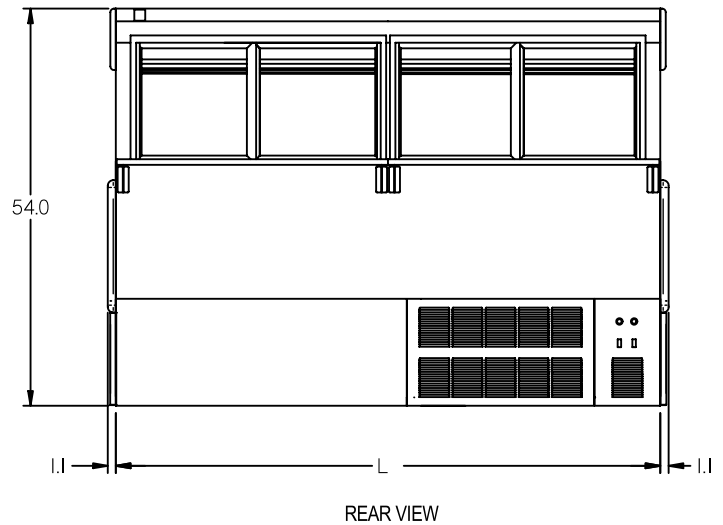
- Special Color Laminate Base
- Paper Roll Cutter/Holder
- Reflective Ends
- Reflective Doors
- Remote Refrigeration
- Scale Stand
- Promolux Lighting
- Cord & Plug (NEMA 5-20P)



Ø2.75" ELECTRICAL & PLUMBING ACCESS HOLE LOCATION IS THE SAME DISTANCE FROM BACK & RIGHT SIDE (VIEWED FROM FRONT) OF CASE BASE ON ALL MODELS



MCG-654-DF SHOWN



SPECIFICATIONS:

Model	Dimensions L W H	Shipping Weight (lbs)	Self-Contained 120/60/1	Remote 120/60/1
<input type="checkbox"/> MCG-454-DF	50" x 42.25" x 54"	730	1/2 HP • 13.4 AMPS	10.4 AMPS
<input type="checkbox"/> MCG-654-DF	74" x 42.25" x 54"	930	1/2 HP • 13.6 AMPS	10.6 AMPS
<input type="checkbox"/> MCG-854-DF	98" x 42.25" x 54"	1,230	1/2 HP • 13.8 AMPS	10.8 AMPS
<input type="checkbox"/> MCG-1054-DF	122" x 42.25" x 54"	1,530	1/2 HP • 14.0 AMPS	11.0 AMPS

- Includes general purpose receptacle 115V, 3AMP.
- Refrigerated cases are designed to operate in a maximum of 75°F ambient and 55% relative humidity.
- Due to continuing engineering improvements, specifications are subject to change without notice.



The Signature of Quality

FEDERAL INDUSTRIES
A Standex Company

215 FEDERAL AVENUE, BELLEVILLE, WISCONSIN 53508-9201

PHONE: 800-356-4206

EMAIL: geninfo@federalind.com

FAX: 608-424-3234

WEBSITE: www.federalind.com

