



The Signature of Quality®

**FEDERAL INDUSTRIES**

A Standex Company

215 Federal Avenue  
Belleville, Wisconsin 53508-9201

Phone: 800-356-4206

Fax: 608-424-3234

Email: Geninfo@Federalind.com

Website: Federalind.com

Project Name: \_\_\_\_\_

Item #: \_\_\_\_\_

Model #: \_\_\_\_\_ Qty: \_\_\_\_\_

Approval: \_\_\_\_\_

AIA #

SIS #

**Refrigerated Self-Serve High Profile Specialty Merchandiser – 78”H X 35”D**

Designed with impulse sales in mind. Get maximum return from an attention-grabbing merchandiser and increase profits.



Model RSSM678SC Shown

| MODEL                              | DIMENSIONS<br>(Includes End Panels)               |
|------------------------------------|---|
| <input type="checkbox"/> RSSM378SC | 36 x 35.25 x 78 (in)<br>914 x 895 x 1981 (mm)     |
| <input type="checkbox"/> RSSM478SC | 47.25 x 35.25 x 78 (in)<br>1200 x 895 x 1981 (mm) |
| <input type="checkbox"/> RSSM578SC | 59.25 x 35.25 x 78 (in)<br>1505 x 895 x 1981 (mm) |
| <input type="checkbox"/> RSSM678SC | 71.25 x 35.25 x 78 (in)<br>1810 x 895 x 1981 (mm) |
| <input type="checkbox"/> RSSM878R  | 91.5 x 35.25 x 78 (in)<br>2324 x 895 x 1981 (mm)  |

**STANDARD FEATURES**

**Model Features**

- Welded powder coated steel base fabrication
- Choice of six standard laminates on exterior
- Black metal front grill and galvanized steel back.
- Silver Trim
- Stainless steel display deck, glass and black interior ends, black interior back panel
- Moisture resistant end panel construction with field replaceable tempered thermo-pane glass
- Front air intake / front & rear discharge
- Energy saving night curtain
- Adjustable Leg Levelers
- Condenser Air filter

**Refrigeration**

- Electronic temperature control with on demand defrost
- PTC Condensate heater provided for a totally self-contained system except for RSSM878R which comes with condensate pump
- Refrigeration controls maintain 38°-40°F (3.3°-4.4°C)  
Note: Case temperature will vary if the air curtain is disrupted.
- Insulated with high-density urethane foam
- Thermometer
- R449a refrigerant (R448a/R449a in Remote Applications)

**Shelving**

- Four tiers of adjustable black metal shelves with price tag molding. Shelves can be flat or slanted downwards at 10°

**Lighting**

- 3500K LED top light, DLC certified, IP 65 rated

**Agency Approvals**

- UL, C-UL and UL Sanitation listed to NSF-7, Type I conditions
- DOE 2017 compliant

**OPTIONAL ACCESSORIES**

- Special External Laminate Finish
- White Interior (Including Shelving)
- Stainless Steel Exterior Finish
- Stainless Steel Interior Back
- Stainless Steel Shelves
- Reflective End Glass
- Additional Lighted (LED) Shelf
- Deli Meat Pegs
- Sliding or Hinged Rear Access Doors
- Roll-up Security Cover (Square End Profile)
- Removable Security Cover
- Square End Profile
- LED Lights Below Shelves
- Rear Side Panel Extensions (6", 152mm)
- 2 1/2" (63.5mm) or 4" (101.6mm) Casters (Self Contained Models Only) Cord Included
- Legs, 6", (152mm)
- Skirt with Casters or Legs
- Cord and Plug (Self-Contained Models Only)
- Joining Kit for Continuous Line-Ups
- Condensate Evaporator Assembly (Field Install) (Separate 120V, 20A Circuit Required) (Remote Only)
- Remote Refrigeration With Condensate Pump (R449a Refrigerant, EEV Included)
- Rear Air Inlet & Outlet (Front Knee Wall Application)

\*Additional options available on the website and price list.



**WARRANTY\***  
One year Parts and Labor  
2nd thru 5th year part only  
service compressor  
(U.S.A. and Canada)

Note: Information is subject to change at any time. Visit [www.federalind.com](http://www.federalind.com) for the most current specs.

|       |  |
|-------|--|
| AIA # | <b>Refrigerated Self-Serve High Profile Specialty Merchandiser – 78”H X 35”D</b> |
| SIS # | <b>Product Specifications</b>  |

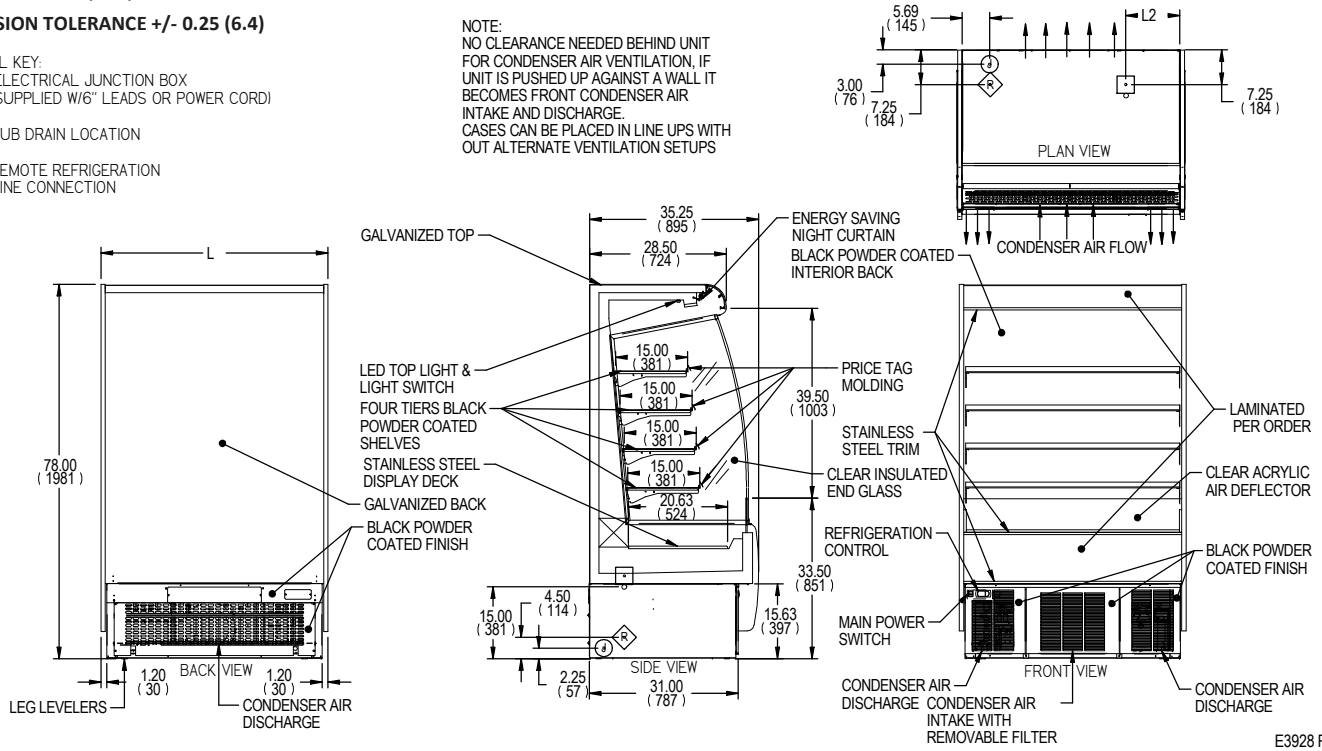
|   |   |                            |
|---|---|----------------------------|
| Intended Environment: Type I (Self Contained) - Designed to operate in maximum ambient conditions of 75°F (24°C) and 55% relative humidity. Type II (Remote) - Designed to operate in maximum ambient conditions of 80°F (24°C) and 55% relative humidity |   |                            |
| <b>Zone</b>   | <b>Intended Product To Be Displayed</b> | <b>Avg Prod Temp °F/°C</b> |
| All   | Packaged Refrigerated Products          | 38°F / (3.3°C)             |

**DIMENSION: xx"/(mm)**

**DIMENSION TOLERANCE +/- 0.25 (6.4)**

- SYMBOL KEY:
- ELECTRICAL JUNCTION BOX (SUPPLIED W/6" LEADS OR POWER CORD)
  - TUB DRAIN LOCATION
  - REMOTE REFRIGERATION LINE CONNECTION

NOTE:  
NO CLEARANCE NEEDED BEHIND UNIT FOR CONDENSER AIR VENTILATION. IF UNIT IS PUSHED UP AGAINST A WALL IT BECOMES FRONT CONDENSER AIR INTAKE AND DISCHARGE. CASES CAN BE PLACED IN LINE UPS WITH OUT ALTERNATE VENTILATION SETUPS



E3928 REV

| MODEL     | DIMENSIONS |       |      |       | TIERS | SHIPPING WEIGHT |      | SELF CONTAINED Permanently Connected |             | OPTIONAL NEMA PLUG | REMOTE       |             | BTU @ 20 ° F |
|-----------|------------|-------|------|-------|-------|-----------------|------|--------------------------------------|-------------|--------------------|--------------|-------------|--------------|
|           | L          | D     | H    | UNITS |       | LBS             | KILO | VOLTAGE                              | AMPS        | CONFIG (SC)        | VOLTAGE      | AMPS        |              |
| RSSM378SC | 36         | 35.25 | 78   | in    | 4     | 785             | 356  | 208-240/60/1                         | MAX FUSE 20 | 6-20P              | 208-240/60/1 | MAX FUSE 15 | 5400         |
|           | 914        | 895   | 1981 | mm    |       |                 |      |                                      |             |                    |              |             |              |
| RSSM478SC | 47.25      | 35.25 | 78   | in    | 4     | 875             | 397  | 208-240/60/1                         | MAX FUSE 20 | 6-20P              | 208-240/60/1 | MAX FUSE 15 | 7500         |
|           | 1200       | 895   | 1981 | mm    |       |                 |      |                                      |             |                    |              |             |              |
| RSSM578SC | 59.25      | 35.25 | 78   | in    | 4     | 1110            | 503  | 208-240/60/1                         | MAX FUSE 30 | 6-20P              | 208-240/60/1 | MAX FUSE 15 | 9000         |
|           | 1505       | 895   | 1981 | mm    |       |                 |      |                                      |             |                    |              |             |              |
| RSSM678SC | 71.25      | 35.25 | 78   | in    | 4     | 1170            | 531  | 208-240/60/1                         | MAX FUSE 30 | 6-20P              | 208-240/60/1 | MAX FUSE 15 | 10500        |
|           | 1810       | 895   | 1981 | mm    |       |                 |      |                                      |             |                    |              |             |              |
| RSSM878R  | 91         | 35.25 | 78   | in    | 4     | 1440            | 653  | N/A                                  | N/A         | N/A                | 208-240/60/1 | MAX FUSE 15 | 15000        |
|           | 2318       | 895   | 1981 | mm    |       |                 |      |                                      |             |                    |              |             |              |

- Due to continuing engineering improvements, specifications are subject to change without notice.
- Case temperature will vary if the air curtain is disrupted.



**FEDERAL INDUSTRIES**  
A Standex Company  
215 Federal Avenue Belleville, Wisconsin 53508-9201

**Phone:** 800-356-4206  
**Fax:** 608-424-3234  
**Email:** Geninfo@Federalind.com  
**Website:** Federalind.com