

**FEDERAL INDUSTRIES**

A Standex Company

215 Federal Avenue
Belleville, WI 53508-9201Phone: 800-356-4206
Fax: 608-424-3234Email: geninfo@federalind.com
Website: www.federalind.com*The Signature of Quality*

Project Name: _____

Item #: _____

Model #: _____ Qty: _____

Approval: _____

AIA#

SIS#

HIGH VOLUME DUAL ZONE CASE

Display more product and serve more customers with presentation and value in mind. Designed for continuous case line-ups.



SGR5948DZ Shown

MODEL	DIMENSIONS (Includes End Panels)
<input type="checkbox"/> SGR5042DZ	50.3 x 35.31 x 42 (in) 1278 x 897 x 1067 (mm)
<input type="checkbox"/> SGR5048DZ	50.3 x 35.31 x 48 (in) 1278 x 897 x 1219 (mm)
<input type="checkbox"/> SGR5942DZ	59.13 x 35.31 x 42 (in) 1502 x 897 x 1067 (mm)
<input type="checkbox"/> SGR5948DZ	59.13 x 35.31 x 48 (in) 1502 x 897 x 1219 (mm)
<input type="checkbox"/> SGR7742DZ	77.13 x 35.31 x 42 (in) 1959 x 897 x 1067 (mm)
<input type="checkbox"/> SGR7748DZ	77.13 x 35.31 x 48 (in) 1959 x 897 x 1219 (mm)

STANDARD FEATURES**Model Features**

- Single base design.
- Left side refrigerated, right side non-refrigerated from customer view.
- Tempered thermopane tilt-out front glass for easy cleaning. Front glass is sloped for high visual product display.
- Tempered thermopane glass top, ends, and doors.
- Removable sliding rear doors, shelf lights, shelf supports, and shelves.
- Steel base construction with a choice of six standard laminates on base. Other finishes optional.
- Black trim
- White scratch-resistant display deck.
- Adjustable Leg Levelers

Added Features for Refrigerated Side

- Condenser air filter on self-contained units.
- Thermometer.
- Condensate evaporator provided for a totally self contained system.
- Oversized coil and low-velocity fan system maintains high humidity and product freshness.
- Easy clean, rustproof insulated evaporator coil compartment.
- Adjustable temperature control.
- Average case temperature of 38° to 40° is maintained.
- Rear access of the refrigeration system for quick and easy service.
- R513a Refrigerant (R449a in Remote Applications)

Shelving

- Adjustable white wire shelves. Shelves are adjustable up and down and can also be tilted in three positions. 48" models have three tiers of shelves; 42" models have two tiers of shelves.

Lighting

- LED top light and shelf lights.
- **Agency Approvals**
- UL Safety and UL Sanitation listed
- DOE 2017 Compliant

OPTIONAL ACCESSORIES

- | | |
|--|--|
| <input type="checkbox"/> Special Base Finish | <input type="checkbox"/> With Laminated Exterior |
| <input type="checkbox"/> Glass Shelves | <input type="checkbox"/> Reflective Rear Doors |
| <input type="checkbox"/> Rear Wrapping Board | <input type="checkbox"/> Casters/Cord & Plug Included |
| <input type="checkbox"/> Cord & Plug (Self-Contained Models Only) (NEMA 5-15P) | (Self-Contained Models Only) |
| <input type="checkbox"/> Remote Refrigeration | <input type="checkbox"/> Legs |
| <input type="checkbox"/> Black, Gold, or Chrome Wire Shelves | <input type="checkbox"/> Top Cutting Board, White |
| <input type="checkbox"/> Reflective Ends | <input type="checkbox"/> Package Shelf |
| <input type="checkbox"/> White or Mirrored Interior Ends | <input type="checkbox"/> Light Below Package Shelf |
| | <input type="checkbox"/> Front Glass and Rear Door Locks |

**WARRANTY***One year Parts and Labor
2nd thru 5th year part only service compressor
(U.S.A and Canada)Note: Information is subject to change at any time.
Visit www.federalind.com for the most current specs.

Revised 02/18/2020

AIA#

HIGH VOLUME DUAL ZONE CASE

SIS#

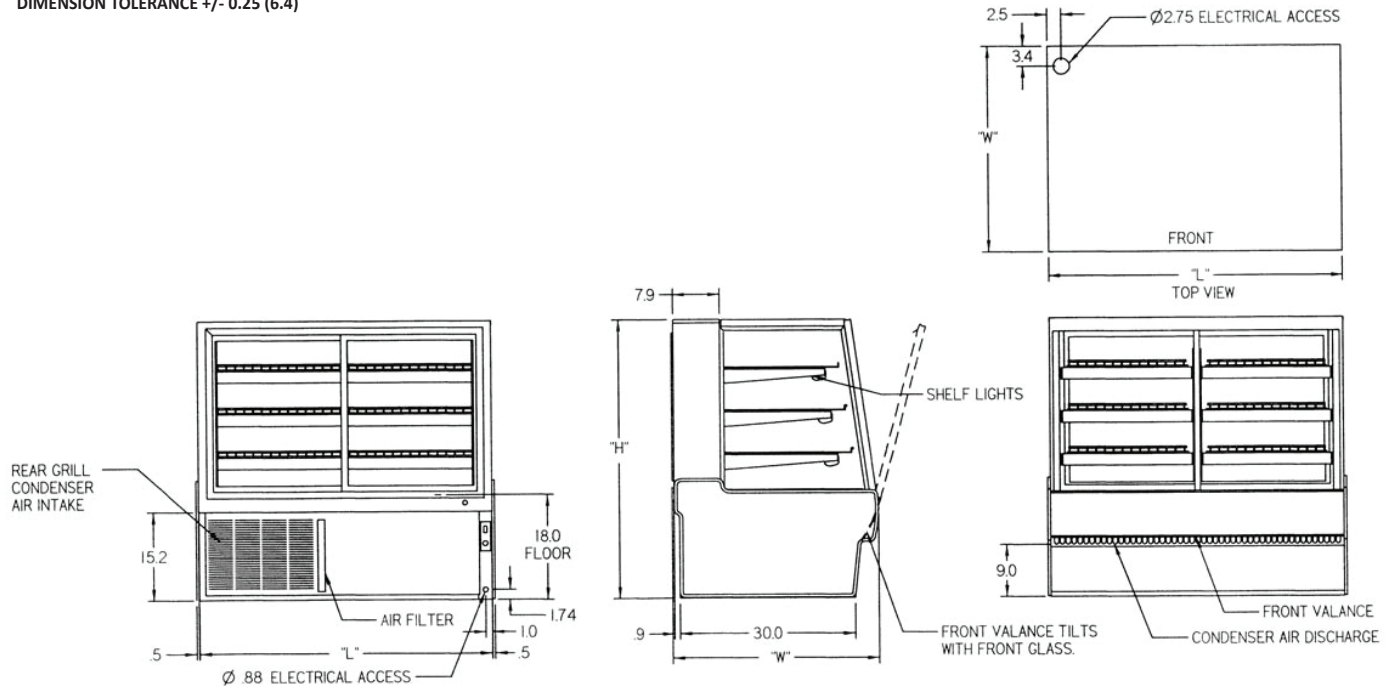
Product Specifications

Intended Environment: Type I - Designed to operate in maximum ambient conditions of 75°F (24°C) and 55% relative humidity unless noted otherwise in system information below.

Zone	Intended Product To Be Displayed	Avg Prod Temp °F/°C
All	Packaged Refrigerated Products	38°F / (3.3°C)

DIMENSION: xx"/(mm)

DIMENSION TOLERANCE +/- 0.25 (6.4)



MODEL	DIMENSIONS				SHIPPING WHT		SELF-CONTAINED 120/60/1 Permanently Connected	REMOTE 120/60/1	NEMA PLUG
	L	D	H1	UNITS	LBS	KILO			
SGR5042DZ	50.3	35.31	42	in.	688	312	1/3 HP - 8.0 AMPS	2.5 AMPS	5-15p
	1278	897	1067	mm.					
SGR5048DZ	50.3	35.31	48	in.	730	331	1/3 HP - 8.0 AMPS	2.5 AMPS	5-15p
	1278	897	1219	mm.					
SGR5942DZ	59.13	35.31	42	in.	735	333	1/3 HP - 9.0 AMPS	3.0 AMPS	5-15p
	1502	897	1067	mm.					
SGR5948DZ	59.13	35.31	48	in.	765	347	1/3 HP - 9.0 AMPS	3.0 AMPS	5-15p
	1502	897	1219	mm.					
SGR7742DZ	77.13	35.31	42	in.	890	404	1/3 HP - 9.0 AMPS	3.0 AMPS	5-15p
	1959	897	1067	mm.					
SGR7748DZ	77.13	35.31	48	in.	930	422	1/3 HP - 9.0 AMPS	3.0 AMPS	5-15p
	1959	897	1219	mm.					

- If a GFCI circuit is required, a GFCI Breaker MUST be used instead of GFCI receptacle.
- Refrigerated cases are designed to operate in a maximum of 75°F (24°C) ambient and 55% relative humidity.
- Due to continuing engineering improvements, specifications are subject to change without notice.

DOE 2017
Energy Efficiency
Compliant



The Signature of Quality

FEDERAL INDUSTRIES

A Standex Company

215 Federal Avenue Belleville, Wisconsin 53508-9201

Phone: 800-356-4206

Fax: 608-424-3234

Email: Geninfo@Federalind.com

Website: Federalind.com