



The Signature of Quality

FEDERAL INDUSTRIES

A Standex Company
215 Federal Avenue
Belleville, WI 53508-9201

Phone: 800-356-4206
Fax: 608-424-3234
Email: geninfo@federalind.com
Website: www.federalind.com

Project Name: _____

Item #: _____

Model #: _____ Qty: _____

Approval: _____

AIA#

SIS#

SERIES '90 SELF-SERVE NON-REFRIGERATED BAKERY CASE

Series '90. The ultimate merchandiser with advanced styling for maximum visual appeal. Designed for continuous line-ups.



MODEL	DIMENSIONS (Includes End Panels)
<input type="checkbox"/> SN48SS	48.25 x 37.75 x 48.50 (in) 1226 x 959 x 1232 (mm)
<input type="checkbox"/> SN59SS	59.25 x 37.75 x 48.50 (in) 1505 x 959 x 1232 (mm)
<input type="checkbox"/> SN77SS	77.25 x 37.75 x 48.50 (in) 1962 x 959 x 1232 (mm)

STANDARD FEATURES

Model Features

- Acrylic lift-up self-closing front doors. The 48" has two sets of doors, 59" has three sets, and the 77" has four sets of doors.
- Removable sliding rear doors, shelf lights, shelf supports, and shelves.
- Adjustable Leg Levelers
- Vent system to reduce heat build-up from the lights.
- Acrylic ends and glass rear doors. Rear doors are sloped for product access.
- All-welded base construction with a choice of six standard laminates on base. Other color laminates optional.
- Easily accessible control panel with main power, auxiliary fan, and light control.
- White display deck.

Shelving

- Two tiers of adjustable white cantilevered wire shelves. Shelves are adjustable up and down and can also be tilted.

Lighting

- fluorescent top light and shelf lights. Lights are independently wired.
- DLC Certified, IP66 rated.

Agency Approvals

- UL Safety and UL Sanitation Listed.
- DOE 2017 Compliant.

OPTIONAL ACCESSORIES

- | | |
|--|---|
| <input type="checkbox"/> Special Base Finish | <input type="checkbox"/> Black Interior (Including Shelves) |
| <input type="checkbox"/> Package Shelf w/Bag Holder and Tissue Dispenser | <input type="checkbox"/> Cord and Plug (NEMA 5-15P) |
| <input type="checkbox"/> Light Below Package Shelf | <input type="checkbox"/> Rear Wrapping Board |
| <input type="checkbox"/> Glass Shelves | <input type="checkbox"/> Casters (Cord and Plug Included) |
| <input type="checkbox"/> Mirrored Ends | <input type="checkbox"/> Black Wire Shelves |
| <input type="checkbox"/> Reflective Rear Doors | <input type="checkbox"/> Legs |
| <input type="checkbox"/> Special Trim | |



WARRANTY*
One year Parts and Labor
2nd thru 5th year part
only service compressor
(U.S.A and Canada)

Note: Information is subject to change at any time.
Visit www.federalind.com for the most current specs.

AIA#

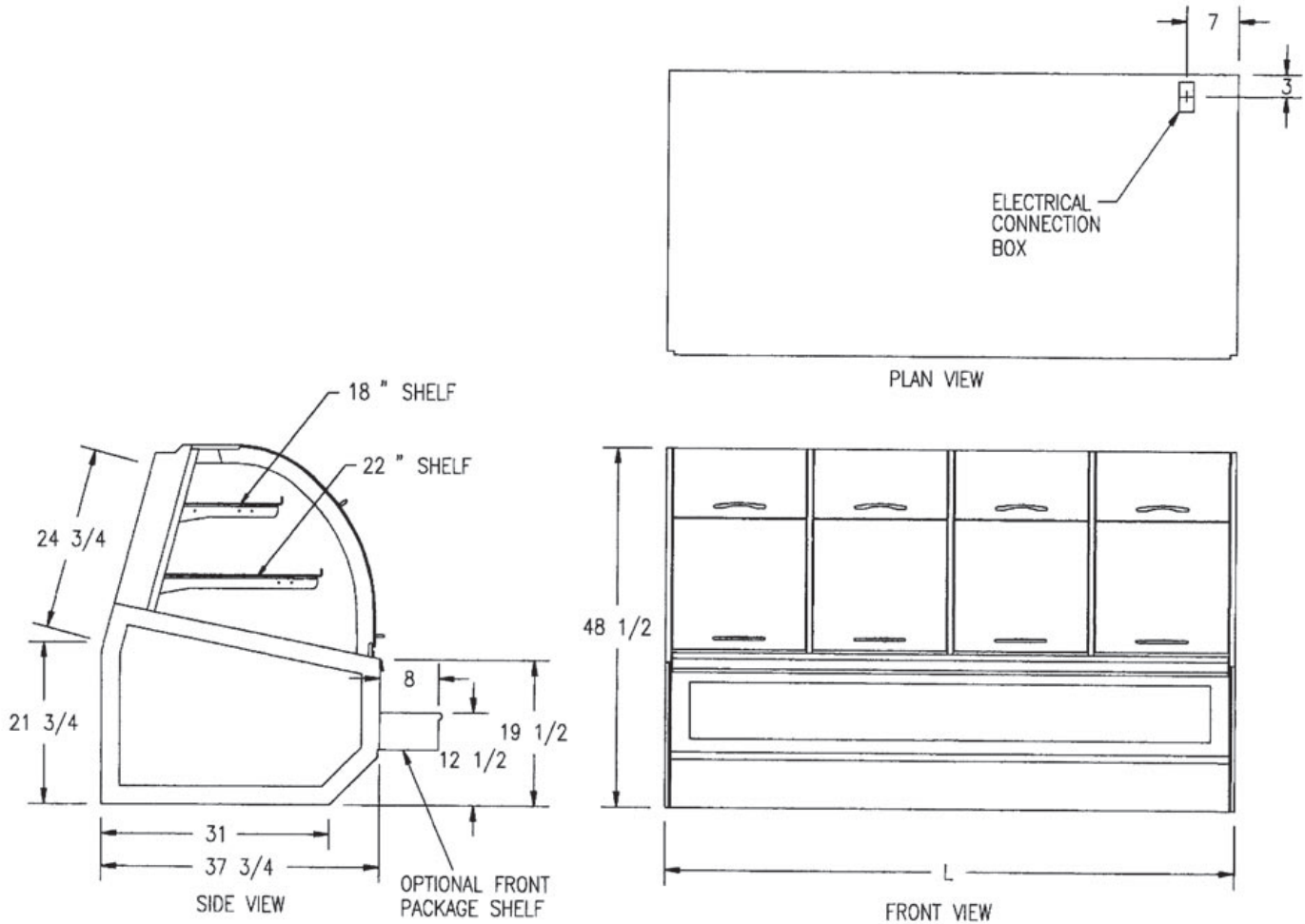
SERIES '90 SELF-SERVE NON-REFRIGERATED BAKERY CASE

SIS#

Product Specifications

DIMENSION: xx"/(mm)

DIMENSION TOLERANCE +/- 0.19 (4.8)



MODEL	DIMENSIONS*				SHIPPING WHT		CAPACITY (BAKERY PANS)	REMOTE 120/60/1
	L	D	H1	UNITS	LBS	KILO		
SN48SS	48.25	37.75	48.5	in.	750	340	2 (18" X 26") 8 (12" X 18") 1 (9" X 26")	2.0 AMPS
	1226	959	1232	mm.				
SN59SS	59.25	37.75	48.5	in.	775	352	7 (18" X 26")	2.0 AMPS
	1505	959	1232	mm.				
SN77SS	77.25	37.75	48.5	in.	1050	476	4 (18" X 26") 12 (12" X 18")	2.0 AMPS
	1962	959	1232	mm.				

- If a GFCI circuit is required, a GFCI Breaker Must be used instead of GFCI receptacle.
- Due to continuing engineering improvements, specifications are subject to change without notice.



The Signature of Quality®

FEDERAL INDUSTRIES

A Standex Company

215 Federal Avenue Belleville, Wisconsin 53508-9201

Phone: 800-356-4206

Fax: 608-424-3234

Email: Geninfo@Federalind.com

Website: Federalind.com