



The Signature of Quality

FEDERAL INDUSTRIES

A Standex Company
215 Federal Avenue
Belleville, WI 53508-9201

Phone: 800-356-4206
Fax: 608-424-3234
Email: geninfo@federalind.com
Website: www.federalind.com

Project Name: _____

Item #: _____

Model #: _____ Qty: _____

Approval: _____

AIA#

SIS#

MARKET SERIES NON-REFRIGERATED BAKERY CASE

Market Deli. The low profile merchandiser that provides solutions to your merchandising needs. Designed for continuous case line-ups and without middle end glass.

MODEL	DIMENSIONS (Includes End Panels)
<input type="checkbox"/> SQ3B	36 x 44-1/8 x 48 (in) 914 x 1121 x 1219 (mm)
<input type="checkbox"/> SQ4B	48 x 44-1/8 x 48 (in) 1219 x 1121 x 1219 (mm)
<input type="checkbox"/> SQ5B	60 x 44-1/8 x 48 (in) 1524 x 1121 x 1219 (mm)
<input type="checkbox"/> SQ6B	72 x 44-1/8 x 48 (in) 1829 x 1121 x 1219 (mm)
<input type="checkbox"/> SQ8B	96 x 44-1/8 x 48 (in) 2438 x 1121 x 1219 (mm)

STANDARD FEATURES

Model Features

- Lift-up, pneumatic, cylinder-assisted curved front glass.
- Adjustable Leg Levelers
- Rear work counter.
- Pedestal or panel base design.
- Tempered front and end glass.
- Removable rear door assembly
- Stainless steel interior and exterior finish.
- Designed for continuous case line-ups.
- Full length, two step deck display risers.

Shelving

- Two tiers tempered glass shelves.

Lighting

- 3500K LED top light and shelf lights. Lights are independently wired.
- DLC Certified, IP66 rated

Agency Approvals

- UL Safety and UL Sanitation listed
- DOE 2017 Compliant



Panel base shown.

OPTIONAL ACCESSORIES

- Special Case Height (50" or 52")
- Front Bumper Rail
(Black, White, Green, Gray)
- Reflective End Glass
- Decorative End Panel
(Black, White, Green, Gray)
- Top Service Shelf
- Accent Base LED Light



WARRANTY*
One year Parts and Labor
2nd thru 5th year part
only service compressor
(U.S.A and Canada)

Note: Information is subject to change at any time. Visit www.federalind.com for the most current specs.

AIA#

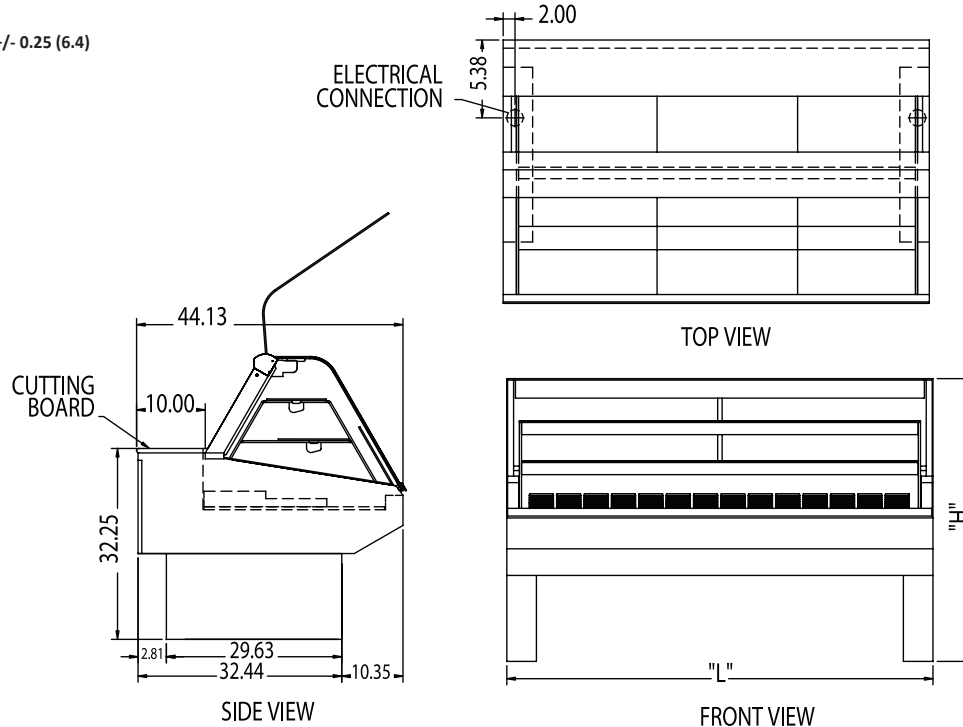
MARKET SERIES NON-REFRIGERATED BAKERY CASE

SIS#

Product Specifications

DIMENSION: xx"/(mm)

DIMENSION TOLERANCE +/- 0.25 (6.4)



MODEL	* DIMENSIONS				SHIPPING WHT		** REMOTE 120/60/1
	L	D	H1	UNITS	LBS	KILO	
SQ3B	36	44.125	48	in.	590	268	3 AMPS
	1226	1121	1219	mm.			
SQ4B	48	44.125	48	in.	745	338	3 AMPS
	1219	1121	1219	mm.			
SQ5B	60	44.125	48	in.	895	406	3 AMPS
	1524	1121	1219	mm.			
SQ6B	72	44.125	48	in.	935	424	3 AMPS
	1829	1121	1219	mm.			
SQ8B	96	44.125	48	in.	1035	538	3 AMPS
	2438	1121	1219	mm.			

* Without decorative end panels

** Plus general receptacle 120V, 15 AMP. (2nd circuit required.)

- When ordering, specify case line-up and pedestal or panel design
- Due to continuing engineering improvements, specifications are subject to change without notice.

DOE 2017
Energy Efficiency
Compliant



The Signature of Quality®

FEDERAL INDUSTRIES

A Standex Company

215 Federal Avenue Belleville, Wisconsin 53508-9201

Phone: 800-356-4206

Fax: 608-424-3234

Email: Geninfo@Federalind.com

Website: Federalind.com