



The Signature of Quality

FEDERAL INDUSTRIES

A Standex Company
215 Federal Avenue
Belleville, WI 53508-9201

Phone: 800-356-4206
Fax: 608-424-3234
Email: geninfo@federalind.com
Website: www.federalind.com

Project Name: _____

Item #: _____

Model #: _____ Qty: _____

Approval: _____

AIA#

SIS#

MARKET SERIES HOT DELI CASE

Market Deli. The low profile merchandiser that provides solutions to your fresh food merchandising needs. Designed for continuous case line-ups without middle end glass.



Panel base shown.

MODEL	DIMENSIONS (Includes End Panels)
<input type="checkbox"/> SQ3HD	36 x 44.125 x 48 (in) 914 x 1121 x 1219 (mm)
<input type="checkbox"/> SQ4HD	48 x 44.125 x 48 (in) 1219 x 1121 x 1219 (mm)
<input type="checkbox"/> SQ6HD	72 x 44.125 x 48 (in) 1829 x 1121 x 1219 (mm)
<input type="checkbox"/> SQ8HD	96 x 44.125 x 48 (in) 2438 x 1121 x 1219 (mm)

STANDARD FEATURES

Model Features

- Lift-up, pneumatic, cylinder-assisted curved front glass.
- Adjustable Leg Levelers
- Rear work counter.
- Pedestal or panel base design.
- Tempered front and end glass.
- Removable rear door assembly. Doors not required for operation.
- Stainless steel interior and exterior finish.
- Solid-state control panel with main power, light, zone well heaters, humidity and overhead heater settings. Panel also includes time and temperature readout.
- Zone heater controls.
- Designed for continuous case line-ups.
- Appliance receptacle provided on back for case register, scale or slicer.
- Auto water fill
- Humidified circulating air flow maintains ideal product moisture.
- Drain not required.

Lighting

- Incandescent top light.

Agency Approvals

- UL Safety and UL Sanitation listed.

OPTIONAL ACCESSORIES

- | | |
|---|--|
| <input type="checkbox"/> Special Case Height (50" or 52") | <input type="checkbox"/> Scale Stand |
| <input type="checkbox"/> Front Bumper Rail (Black, White, Green, Gray) | <input type="checkbox"/> Food Container Holder |
| <input type="checkbox"/> Reflective End Glass | <input type="checkbox"/> Top Service Shelf |
| <input type="checkbox"/> Decorative End Panel (Black, White, Green, Gray) | <input type="checkbox"/> Accent Base Light |
| | <input type="checkbox"/> Slicer Stand |
| | <input type="checkbox"/> Non-Glare Glass |



WARRANTY*
One year Parts and Labor
2nd thru 5th year part
only service compressor
(U.S.A and Canada)



Note: Information is subject to change at any time.
Visit www.federalind.com for the most current specs.

Revised 02/18/2020

AIA#

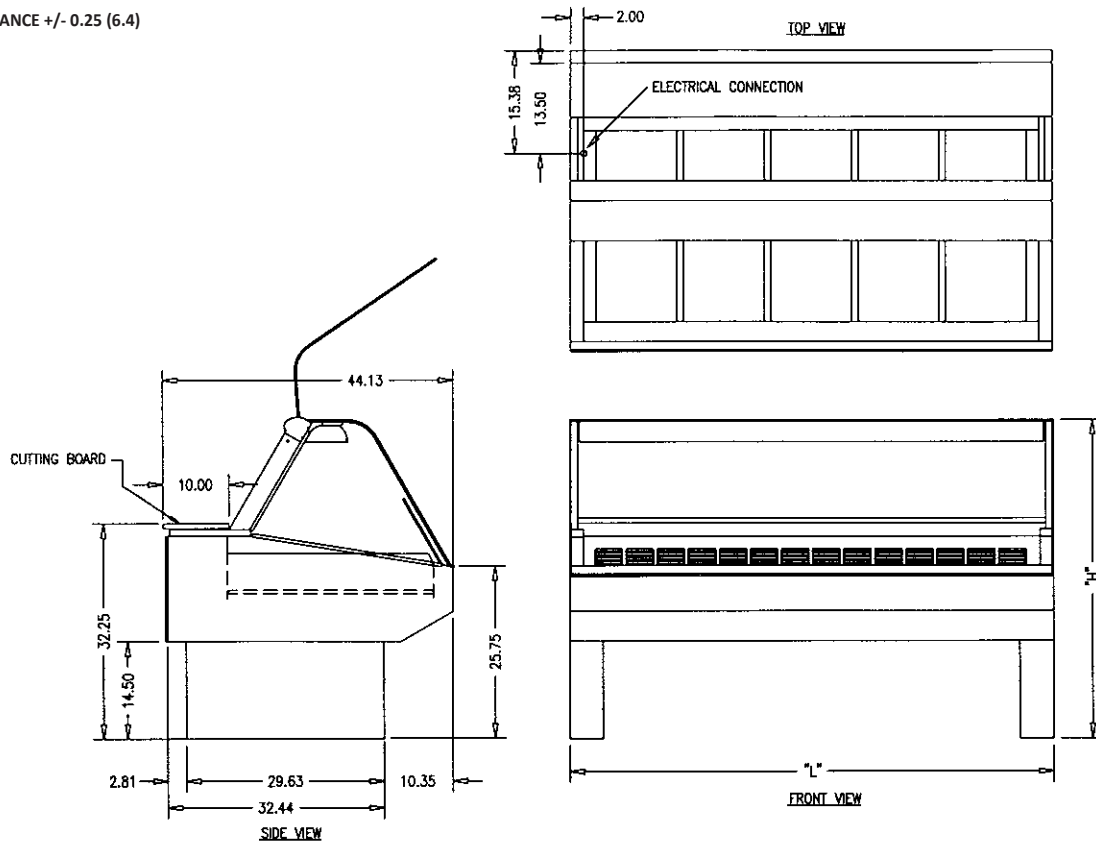
MARKET SERIES HOT DELI CASE

SIS#

Product Specifications

DIMENSION: xx"/(mm)

DIMENSION TOLERANCE +/- 0.25 (6.4)



MODEL	* DIMENSIONS				SHIPPING WHT		** AMPS 120/208-240/60/1 3-WIRE PLUS GROUND	WATER CONNECTIONS	*** WELL CAPACITY
	L	D	H1	UNITS	LBS	KILO			
SQ3HD	36	44.125	48	in.	375	171	10.3	1/2" NPT	2
	1226	1121	1219	mm.					
SQ4HD	48	44.125	48	in.	470	213	14.6	1/2" NPT	3
	1219	1121	1219	mm.					
SQ6HD	72	44.125	48	in.	710	322	22.6	1/2" NPT	5
	1829	1121	1219	mm.					
SQ8HD	96	44.125	48	in.	920	417	31.2	1/2" NPT	7
	2438	1121	1219	mm.					

* Without decorative end panels

** Plus general receptacle 120V, 15 AMP. (2nd circuit required.) (n/a for Canadian Listings)

*** Each well holds a full-size pan and a third.

- When ordering, specify case line-up and pedestal or panel design
- Due to continuing engineering improvements, specifications are subject to change without notice.



The Signature of Quality®

FEDERAL INDUSTRIES

A Standex Company

215 Federal Avenue Belleville, Wisconsin 53508-9201

Phone: 800-356-4206

Fax: 608-424-3234

Email: Geninfo@Federalind.com

Website: Federalind.com