



Project \_\_\_\_\_  
 AIA # \_\_\_\_\_ SIS # \_\_\_\_\_  
 Item # \_\_\_\_\_ Quantity \_\_\_\_\_ C.S.I. Section 114000



# TE SERIES

## Refrigerated Equipment Stands Self-Contained

### TE 4-DRAWER MODELS



## STANDARD PRODUCT FEATURES

- Stainless Steel Exterior & Interior
- Stainless Steel Top w/Drip Guard (Marine) Edge
- Reliable Microprocessor Control With LED Temperature Display
- Balanced, Self-Contained Refrigeration System Using R-404A
- Front-Breathing Design for "Zero-Clearance" Installation
- Non-Electric Automatic Condensate Evaporator
- Condenser Filter (protects coil)
- Off-Cycle Evaporator Defrost
- Controllable Anti-Condensate Drawer Perimeter Heaters
- Full Length Drawer Handle with Gasket Guard
- Magnetic Snap-In EZ Clean Drawer Gaskets
- Easily Removable Drawers Accomodate 12" x 20" x 6" Pans (pans by others)
- Self-Closing Drawers with Stay Open Feature
- 14-Gauge Stainless Steel Drawer Slides
- Side, Front & Rear Access Panel for Ease of Service & Maintenance
- NEMA 5-15P Plug with 9' Cord & Cord Retainer
- Set of Eight (8) 4" Casters on Adjustable Caster System
- 3-Year Parts and Labor Warranty
- 2-Years Additional Compressor Parts Warranty

REFRIGERATED EQUIPMENT STANDS SELF CONTAINED



Listed by Underwriters Laboratories Inc., to U.S. and Canadian safety standards and Listed by NSF International.

## AVAILABLE CONFIGURATIONS

### One, Four & Six Drawer Models, 34" Deep

Model	Model Type
TE072HT	72" 4-Drawer Model
TE084HT	84" 4-Drawer Model

## ACCESSORIES & OPTIONS

- ▣ Set of 6" High Stainless Steel Legs in Lieu of Casters
- ▣ 6" Cabinet Length Extension
- ▣ Stainless Steel Exterior Finished Back
- ▣ Export 220/50/1 Voltage
- ▣ Remote Applications
- ▣ Water Cooled Self-Contained Condenser Suitable for Connection to Glycol
- ▣ System Relocated to Right Side

CONTINUED PRODUCT DEVELOPMENT MAY NECESSITATE SPECIFICATION CHANGES WITHOUT NOTICE.

Approved by \_\_\_\_\_ Date \_\_\_\_\_ Approved by \_\_\_\_\_ Date \_\_\_\_\_

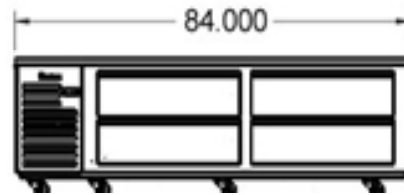
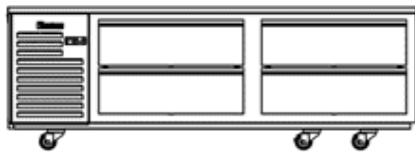
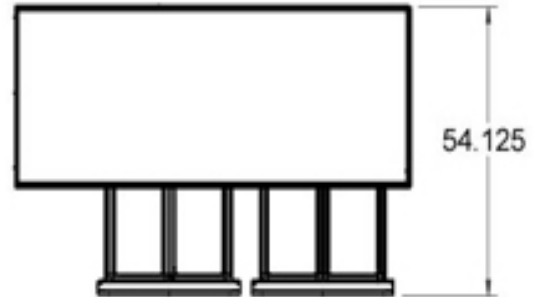
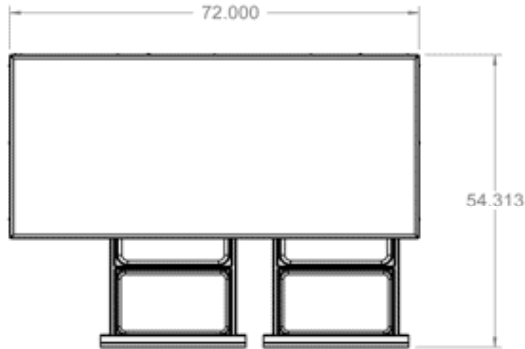


# TE SERIES

Refrigerated Equipment Stands Self-Contained

## MODELS:

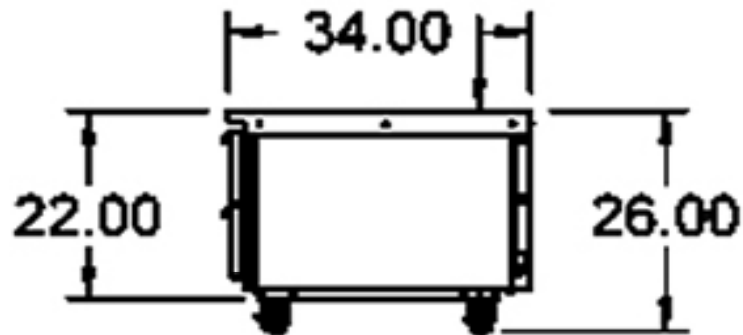
TE072HT, TE084HT



Elevation - TE072HT

Elevation - TE084HT

### Section - All Models



CONTINUED PRODUCT DEVELOPMENT MAY NECESSITATE SPECIFICATION CHANGES WITHOUT NOTICE.



Project \_\_\_\_\_  
 AIA # \_\_\_\_\_ SIS # \_\_\_\_\_  
 Item # \_\_\_\_\_ Quantity \_\_\_\_\_ C.S.I. Section 114000



# TE SERIES

## Refrigerated Equipment Stands

### Self-Contained

Models: TE072HT, TE084HT

MODELS	TE072HT	TE084HT
<b>CABINET DIMENSIONAL DATA</b>		
Length - Overall in.	72" (182.9cm)	84" (213.4 cm)
Depth - Cabinet Only in.	32" (81.3 cm)	32" (81.3 cm)
Depth - with Door Open	54 1/8" (137.5 cm)	54 1/8" (137.5 cm)
Depth - Over Handle in.	34 1/8" (86.7 cm)	34 1/8" (86.7 cm)
Height - Overall on 4" Casters <sup>1</sup>	26" (66.0 cm)	26" (66.0 cm)
Max Top Load Capacity lbs.	1200	1500
Pan Capacity 12" x 20" x 6"	8	8
Pan Orientation	Front to Back	Side by Side
Drawers Per Cabinet	4	4
<b>ELECTRICAL DATA &amp; REFRIGERATION DATA</b> 115/60/1 NEMA 5-15P		
Full Load Amps	6.7	6.7
MDEC <sup>2</sup>	N/A	N/A
Refrigerant	R-404A	R-404A
Refrigerant Amount oz. (gr)	16.5 (468)	17.0 (482)
BTU/HR - HP <sup>3</sup>	2440 (1/3 HP)	2440 (1/3 HP)
<b>SHIPPING DATA</b>		
Length - Crated in.	84	108
Width Crated in.	42	42
Height - Crated in.	35	35
Volume Crated cu. ft.	85.75	92
Weight lbs. (kg) - Crated	555 (252 kg)	655 (297 kg)

## EQUIPMENT SPECIFICATIONS

### CONSTRUCTION, HARDWARE AND INSULATION

Cabinet exterior front, sides, louver assembly and drawers are constructed of 20-gauge 430 stainless steel, exterior back and bottom are constructed of heavy gauge galvanized steel. Cabinet interior sides are constructed of 22-gauge 400 series stainless steel, top and bottom are constructed of 22-gauge 300 series stainless steel. A set of 4" high casters are included standard. Gasket profile and Santoprene® material simplify cleaning and increase overall gasket life. Both the cabinet and drawers are insulated with an average of 2" thick high density, non-CFC foamed in place polyurethane.

### CONTROLLER

The easy to use water resistant microprocessor control system is supplied standard. It includes a 3-Digit LED Display, and a Fahrenheit or Celsius Temperature Scale Display Capability.

### REFRIGERATION SYSTEM

The left side mounted, self-contained, balanced refrigeration system using R-404A refrigerant features an off-cycle defrost, capillary tube, air-cooled hermetic compressor, automatic condensate evaporator, and a dedicated rear-mounted evaporator design which distributes cold air through each drawer section. A 9' cord and retainer is provided. Standard operating temperature is 34° to 38° F (1.1° to 3.3°C).

### DRAWERS

Each heavy-duty drawer is designed to accommodate 12" x 20" x 6" deep pans. They are constructed using 14-gauge stainless steel drawer slides and 2" diameter stainless steel rollers. Drawers include both a self-closing and stay-open feature.

### WARRANTIES

Both a three year parts and labor warranty and a five year compressor warranty (self-contained models only) are provided standard.

NOTE: Figures in parentheses reflect metric equivalents.

1. Height as measured without optional stainless steel work top.

2. MDEC= Maximum Daily Energy Consumption

3. Based on a 90 degree F ambient and 20 degree F evaporator. For information on remote models, please refer to form TR35837.

When ordering please specify: Voltage, Hinging, Options and any additional warranties.

Equipped with one NEMA 5-15P Plug



REFRIGERATED EQUIPMENT STANDS SELF CONTAINED

Approved by \_\_\_\_\_ Date \_\_\_\_\_ Approved by \_\_\_\_\_ Date \_\_\_\_\_