



Assembly Instructions for Dry Food Dispenser EZ-SERV 100/200/300

► Assembly

1. Carefully remove all parts from packaging.
2. Attach two legs (6) to base (8) by pressing down firmly until it clicks.
3. Attach container (4) to the legs (6).
4. Place rubber propeller (2) into container (4). The plastic pin on the rubber propeller must snap into the hole on the back side of each spout.
5. Insert knobs (3) through the center of the rubber propeller (2).
6. Place tray (7) on base (8).
7. Fill container (4) with desired product.
8. Place lid (1) on top of the container (4).
9. Dispense as you please.
10. Attach sealing lid (5) to both spouts for maximum freshness (sealing lid may also attach to underside of container lid(1)).

► Cleaning

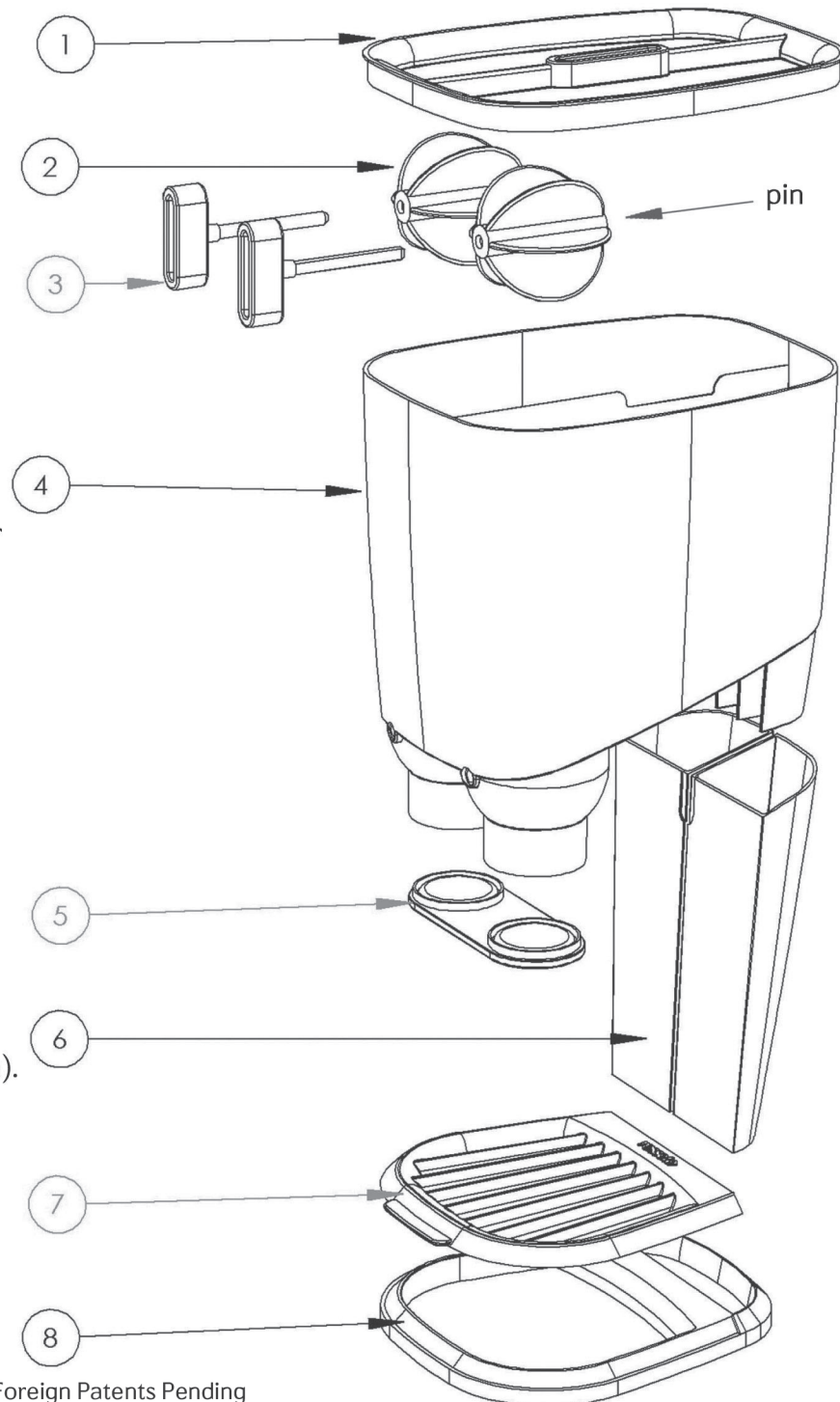
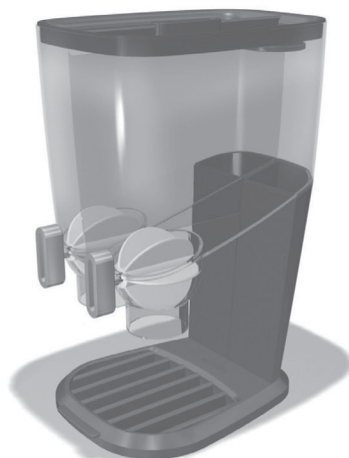
1. Gently pull apart all parts of the product.
2. Wash all parts in warm water with a little soap (never use an abrasive sponge or cloth).
3. Only rubber propeller is safe for dishwasher use.
4. Reassemble when all parts are completely dry. (See assembly instructions above)

Thank you for your business,
Rosseto Team

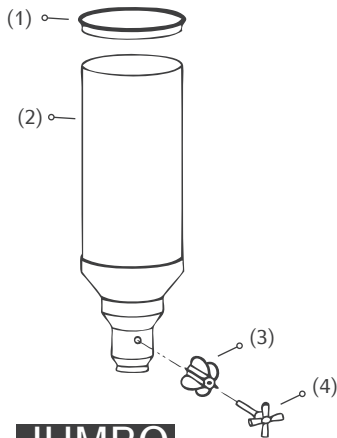
© ROSSETO INC. SERVING SOLUTIONS
ROSSETO® 3600 W Pratt Avenue. Lincolnwood, IL 60712
Tel: 847-763-1215 Fax: 847-763-1218
E-mail: info@rosseto.com Web: www.rosseto.com



US Patent # 6,964,355 and US and Foreign Patents Pending
EURO 371513-01, US D531,457 S



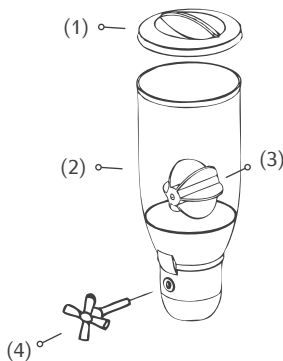
Spare Parts Guide



JUMBO

- EZL003 - Metal Lid (1)
- Ezc003 - 3.5 gal Jumbo Container (2) or Ezc004 - 4.0 gal Jumbo Container
- EZP003 - 6 wing Paddle Wheel (3)
- EZH003 - Metal Handle (4)

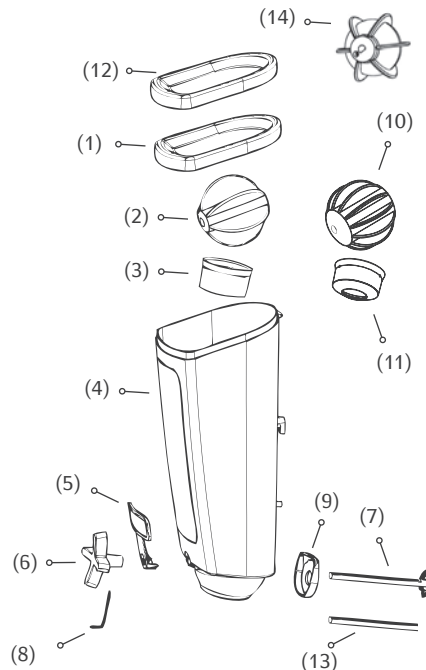
* Applicable to EZServ: 01/04 Jumbo models



ROUND

- EZL001 - Plastic Lid (1)
- Ezc001 - 0.9 gal Container (2)
- EZP003 - 6 Wing Paddle Wheel (3)
- EZH003 - Metal Handle (4)

*Applicable to EZServ:
301/302/303/304/307 models



PRO

- EZL006 - PRO Lid, Stainless Steel (1)
- EZP004 - Pro 6 wing Paddle Wheel (2)
- EZM005 - Regular Nozzle(3)
- Ezc008 - Container (4)
- EZM006 - Name Tag (5)
- EZH004 - Metal Handle & Pin (6 & 7)
- EZM019 - 1.5mm tool (8)
- EZM003 - Clicking Mechanism (9)
- EZP005 - Pro 12 wing Paddle Wheel (10)
- EZM004 - Narrow Nozzle (11)
- EZL009 - Plastic lid (12)
- EZM025 - Pin only (13)
- PRO6-SM -Pro 1 Tbs. wheel (14)
- EZM027 - Stand for container - SS



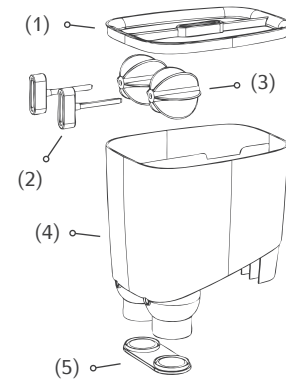
TOPPING KIT

EZP001 -
12 wing paddle wheel ≈ 1 tbs. per servings (1)



EZH002 -
Chrome handle (2)

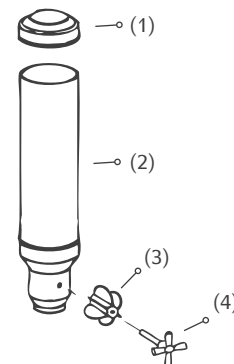
EZH005 -
S - Shaped handle



DIVIDED

- EZL004 - Black Lid (1) or EZL005 - White Lid
- EZH002 - Chrome Handle (2) or EZH001 - White Handle
- EZP002 - 6 wing Paddle Wheel (3)
- Ezc005 - 2.2 gal Container (4)
- EZL008 - Black Fresh Lid (5) or EZL007 - White Fresh Lid

* Applicable to EZServ:
100M/200M/1800/3600/5400/7200 models



TALL

- EZL002 - Plastic Lid (1)
- Ezc002 - 1.3 gal Container (2)
- EZP003 - 6 Wing Paddle Wheel (3)
- EZH003 - Metal Handle (4)

* Applicable to EZServ:
02/03/05 & H30/50 models