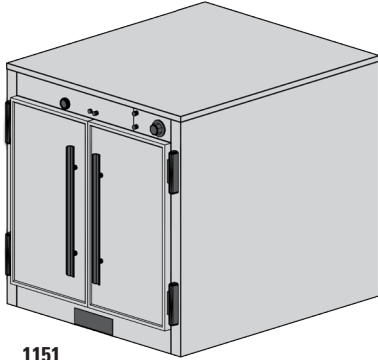




Your Solutions Partner

# Specifications

F.O.B Sedalia, Missouri 65301



1151

### OPTIONS:

- Enclosed base - 6" high
- Cord and plug - 8'
- Casters - 5" polyurethane, 2 swivel w/brakes 2 rigid
- Push bar
- Bumpers - stainless steel
- Door Panels - laminated plastic
- Additional pair 5" angle slides
- Door locks
- 440-480V Circuit
- Celsius thermometer in lieu of Fahrenheit
- 208V/1Ph; 208V/3Ph; 240V/1 PH; 240/3PH

### AGENCY LISTING:



**DUKE MANUFACTURING CO.**  
**2305 N. Broadway**  
**St. Louis, MO 63102**

**800.735.3853 Toll Free**  
**314.231.5074 Fax**  
**www.dukemfg.com**

### Approval Stamp(s):

#### PRODUCT INFORMATION:

PROJECT: \_\_\_\_\_

ITEM: \_\_\_\_\_

QUANTITY: \_\_\_\_\_

#### MODEL:

### Thermotainer Food Holding Cabinets - "E" Series 21"H x 22"W x 28-1/2" D Compartments

- 1151** Reach-In 1 thermostat, w/legs
- 1151P** Pass-Thru 1 thermostat, w/legs

#### BODY:

- Heavy gauge stainless steel, all panels except bottom
- Shell welded to interior
- Die-stamped compartment openings
- Top 14 ga. S/S w/1" turned down edge and 1" overhang on all sides

#### DOORS:

- Stainless steel Uni-Door construction
- Operate simultaneously, either opening or closing
- Overhead operating unit
- Automatic stop holds open position
- Spring hinges die-stamped, with built-in-stop externally adjustable, completely concealed

#### COMPARTMENT:

- Heavy gauge stainless steel
- Rounded corners
- Stainless steel studs for angle slides at 9 levels
- (2) removable, adjustable, stainless steel, 5" angled slide pairs
- Removable liner for inspection and maintenance

#### ELECTRICAL CONTROLS:

- Recessed thermostat w/built-in On-Off switch
- Heat range 100° - 300° and dial thermometer
- Pilot lights
- Recessed connection box
- Thermostat, pilot lights set in removable access panel

#### DAMPERS:

- 2-position sliding type
- Controlled by push buttons
- Compartments individually controlled

#### INSULATION:

- Body fully insulated with 1-1/2" fiberglass, doors with fiberglass

#### HEATING ELEMENTS:

- Sheath type strip heaters, 120 Volt, 1 Phase
- Removable compartment for ease of access to heating elements.

#### LEGS:

- Stainless steel die-stamped adjustable - 6" high

#### SHORT FORM SPECIFICATIONS:

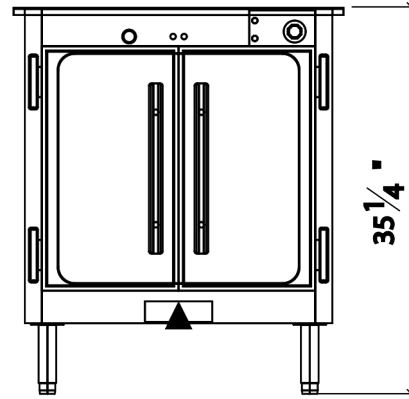
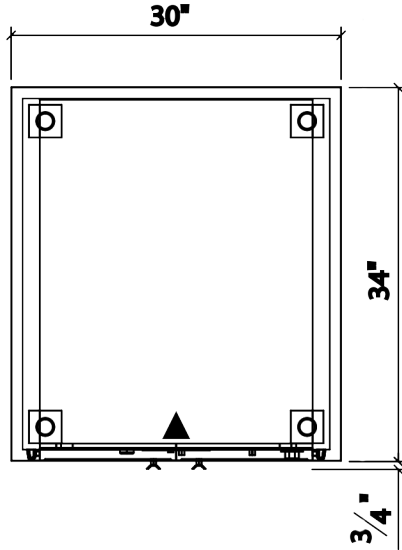
**Duke Thermotainers Food Holding Cabinets.** Models 1151/1151P constructed with one (1) compartment. Compartment 21"H x 22"W x 28-1/2"D. Compartment to have four (4) pairs of removable stainless steel slides. One thermostat controls compartment. 100° - 300° heat range with dial thermometer and 6" high stainless legs. Built-in installation - allow 1/4" tolerance greater than body width.



**THERMOTAINER FOOD HOLDING CABINETS - "E" SERIES  
21" H x 22" W x 28-1/2" D COMPARTMENTS**

- 1151** Reach-In 1 thermostat, w/legs
- 1151P** Pass-Thru 1 thermostat, w/legs

LEGEND	
▲	ELECTRICAL CONNECTION



DIMENSIONS:

FREIGHT CLASS: 100

Model	Width		Depth		Height		Comp. Depth		Cube ft. crated	Weight	
	in	cm	in	cm	in	cm	in	cm		lbs	kg
1151	30	76.2	34-3/4	88.3	35-1/4	89.5	28-1/2	72.4	34.9	300	136.4
1151P	30	76.2	35-1/2	90.2	35-1/4	89.5	30-1/2	77.5	35.6	300	136.4

**ELECTRICAL SPECIFICATIONS:** (Consult factory for 3-phase electrical requirements and other options.) 120V,1PH

Model	Connected Load
1151	1500 watts
1151P	1500 watts

	1151/1151P
<b>Capacity w/standard slides</b>	(14) 12" x 20" x 2" pans or (8) 12" x 20" x 4" pans or (4) 12" x 20" x 8" pans or (10) 18" x 26" bake sheets

- 1151** Reach In - hinged doors on front only
- 1151P** Pass Thru - hinged doors on front & back for pass-thru service



**DUKE MANUFACTURING CO.**

2305 N. Broadway  
St. Louis, MO 63102

800.735.3853 Toll Free  
314.231.1130 In Missouri  
314.231.5074 Fax  
www.dukemfg.com

Specification subject to change