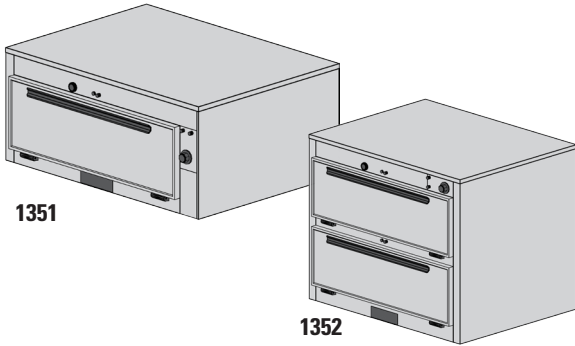




Your Solutions Partner

Specifications

F.O.B Sedalia, Missouri 65301



OPTIONS:

- Enclosed base - 6" high
- Cord and plug - 8'
- Casters - 5" polyurethane, 2 swivel w/brakes 2 rigid
- Push bar
- Bumpers - stainless steel
- Door Panels - laminated plastic
- Additional pair 3" angle slides
- Legs
- Door locks
- 440-480V Circuit
- Celsius thermometer in lieu of Fahrenheit
- 208V/1Ph; 208V/3Ph; 240V/1 PH; 240/3PH

AGENCY LISTING:



DUKE MANUFACTURING CO.
2305 N. Broadway
St. Louis, MO 63102

800.735.3853 Toll Free
314.231.5074 Fax
www.dukemfg.com

SS-DM-00185-THM-12

Approval Stamp(s):

PRODUCT INFORMATION:

PROJECT: _____

ITEM: _____

QUANTITY: _____

MODEL:

Thermotainer Food Holding Cabinets - "C" Series 9"H x 29"W x 23-1/2" D Compartments

- 1351** Reach-In 1 thermostat controls all compartments , w/o legs
- 1351P** Pass-Thru 1 thermostat controls all compartments, w/o legs
- 1352** Reach-In 1 thermostat for all 2 compartments , w/o legs
- 1352P** Pass-Thru 1 thermostat for all 2 compartments, w/o legs

BODY:

- Heavy gauge stainless steel, all panels except bottom
- Shell welded to interior
- Die-stamped compartment openings

DOORS:

- Stainless steel, die-stamped, embossed front
- Ribbed Interior
- Reinforced for mounting hardware
- Insulated with fiberglass
- Spring hinges die-stamped, with built-in-stop externally adjustable, completely concealed

COMPARTMENT:

- Heavy gauge stainless steel
- Rounded corners
- Stainless steel studs for angle slides at 3 levels
- (2) removable, adjustable, stainless steel, 3" angled slide pairs
- Removable liner for inspection and maintenance

ELECTRICAL CONTROLS:

- Recessed thermostat w/built-in On-Off switch
- Heat range 100° - 300° and dial thermometer
- Pilot lights
- Recessed connection box
- Removable access panel

DAMPERS:

- 2-position sliding type
- Controlled by push buttons
- Compartments individually controlled

INSULATION:

- Body fully insulated with 1-1/2" fiberglass

HEATING ELEMENTS:

- Sheath type strip heaters, 120 Volt, 1 Phase
- Removable compartment for ease of access to heating elements.

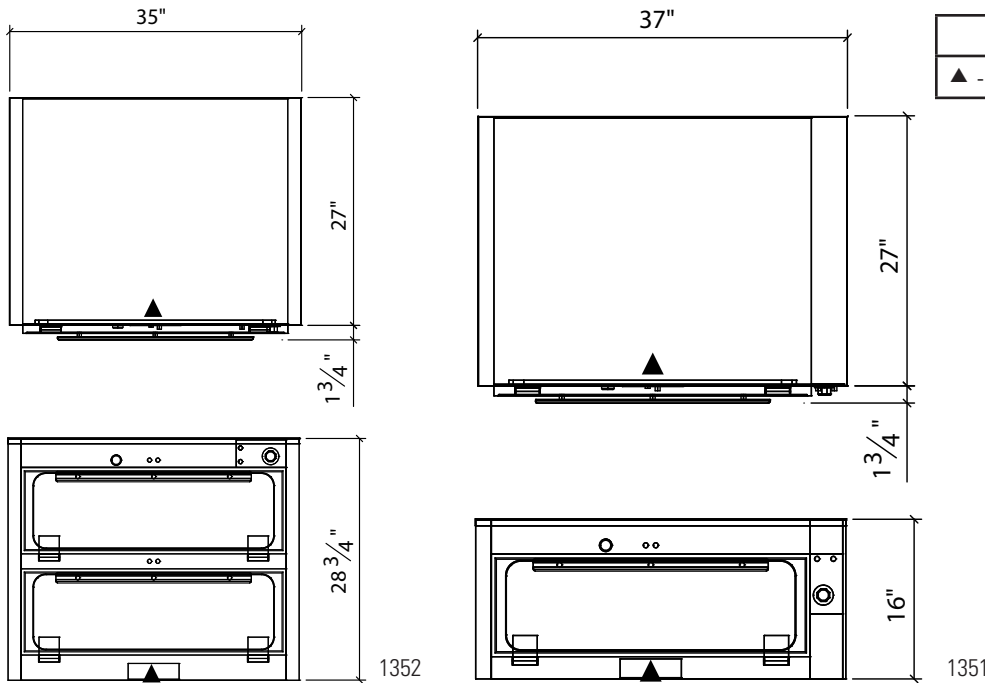
SHORT FORM SPECIFICATIONS:

Duke Thermotainers Food Holding Cabinets. Models 1351/1351P constructed with one (1) compartment. Models 1352/1352P to have two (2) compartments. Compartment 9"H x 29" W x 23-1/2" D. Each compartment to have four (4) pairs of removable stainless steel slides. One thermostat controls all compartments. 100° - 300° heat range and dial thermometer. built-in installation - allow 1/4" tolerance greater than body with.



**THERMOTAINER FOOD HOLDING CABINETS - "C" SERIES
9"H x 29"W x 23-1/2"D COMPARTMENTS**

- 1351** Reach-In 1 thermostat controls all compartments, w/o legs
- 1351P** Pass-Thru 1 thermostat controls all compartments, w/o legs
- 1352** Reach-In 1 thermostat controls all 2 compartments, w/o legs
- 1352P** Pass-Thru 1 thermostat controls all 2 compartments, w/o legs



LEGEND	
▲	ELECTRICAL CONNECTION

DIMENSIONS:

Freight Class: 100

Model	Width		Depth		Height		Comp. Depth		Cube ft. crated	Weight	
	in	cm	in	cm	in	cm	in	cm		lbs	kg
1351	37	94.0	28-3/4	73.0	16	40.6	23-1/2	59.7	19.6	225	102.3
1351P	37	94.0	30-1/2	77.5	16	40.6	25-1/2	63.5	20.6	225	120.3
1352	35	88.9	28-3/4	73.0	28-1/4	71.8	23-1/2	59.7	28.2	300	136.4
1552P	35	88.9	30-1/2	77.5	28-1/4	71.8	25-1/2	63.5	29.7	300	136.4

ELECTRICAL SPECIFICATIONS: (Consult factory for 3-phase electrical requirements and other options.) 120V, 1Ph

Model	Connected Load
1351	1000 watts
1351P	1000 watts
1352	1500 watts
1352P	1500 watts

	1351/1351P	1352/1352P
Capacity w/standard slides	(6) 12" x 20" x 2" pans or (4) 12" x 20" x 4" pans or (2) 12" x 20" x 8" pans	(12) 12" x 20" x 2" pans or (8) 12" x 20" x 4" pans or (4) 12" x 20" x 8" pan

- 1351** Reach In - hinged doors on front only
- 1351P** Pass Thru - hinged doors on front & back for pass-thru service
- 1352** Reach In - hinged doors on front only
- 1352P** Pass Thru - hinged doors on front & back for pass-thru service



DUKE MANUFACTURING CO.

2305 N. Broadway
St. Louis, MO 63102

800.735.3853 Toll Free
314.231.1130 In Missouri
314.231.5074 Fax
www.dukemfg.com

Specification subject to change