



Your Solutions Partner

# Specifications

F.O.B. Sedalia, Missouri 65301

## Approval Stamp(s):

### PRODUCT INFORMATION:

PROJECT: \_\_\_\_\_

ITEM: \_\_\_\_\_

QUANTITY: \_\_\_\_\_

MODEL:

### **AeroServ Serving Systems Cashier Unit**

306-25 36"H x 24-1/2"W x 24-1/2"L

### TOP:

- 20 gauge, 300 Series stainless steel
- Flanged down 2" at 90°

### BODY:

- Paint grip or stainless steel
- Choice of (12) powder coat paint colors
- Flanged or channeled edges
- Open at end or operator's side
- Mounted on 6" stainless steel legs with adjustable feet

### OPTIONS:

- Stainless steel drawer
- Cylinder lock and keys
- Trayslides
- Kick plates
- Flanged feet
- 5" casters, 2 swivel w/locks
- Drop brackets on tray slide
- Veneered plastic laminate panels on body
- Special powder coat painted body
- Cutouts
- Duplex outlets
- 6 ft. cord and plug
- Body latches
- Special height legs
- Pusher bar



**306-25**

**Shown with optional stainless steel drawer**

DUKE MANUFACTURING CO.

2305 N. Broadway

St. Louis, MO 63102

800.735.3853 Toll Free

314.231.5074 Fax

www.dukemfg.com

SS-1122 AeroServ Chashier Unit

Specification subject to change



**WARNING:** Cancer and Reproductive Harm -  
www.p65warnings.ca.gov

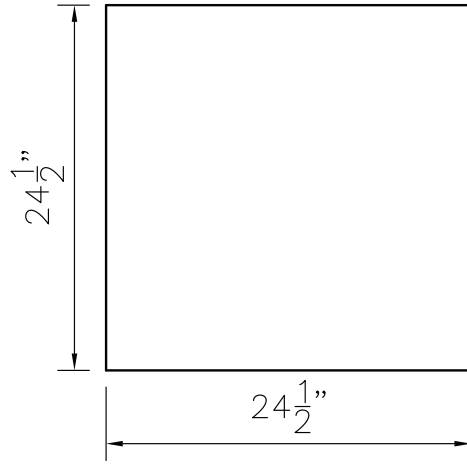
REV B 10/21/2019

# AeroServ

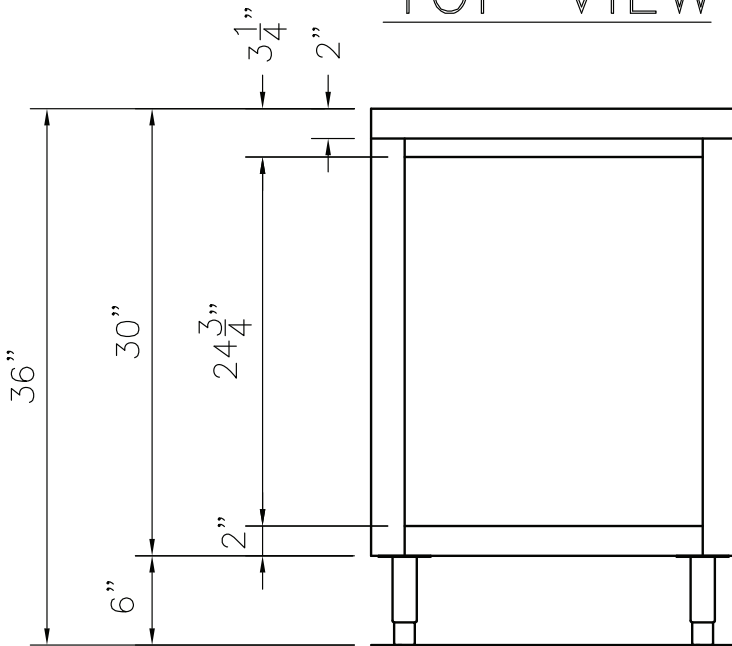
## CASHIER UNIT

A.I.A. File No. 35-C-13

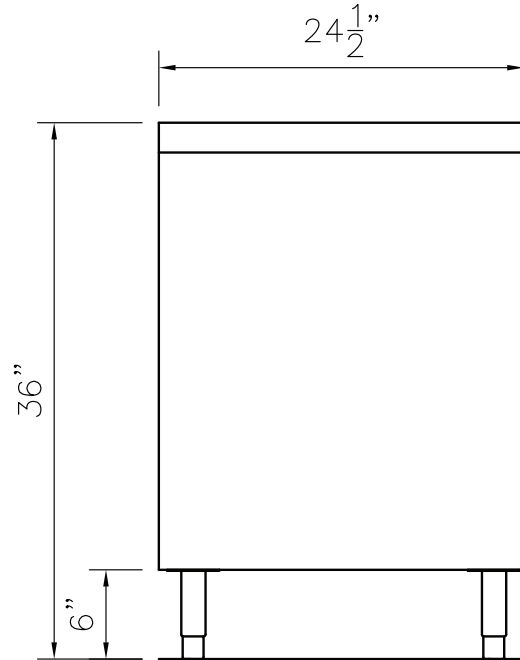
Catalog No. CASH



TOP VIEW



FRONT VIEW



RIGHT SIDE VIEW

**DIMENSIONS:**

**Freight Class: 150**

| Model  | Length |      | Width  |      | Height |      | Cube ft. crated | Weight |      |
|--------|--------|------|--------|------|--------|------|-----------------|--------|------|
|        | in     | cm   | in     | cm   | in     | cm   |                 | lbs    | kg   |
| 306-25 | 24-1/2 | 62.2 | 24-1/2 | 62.2 | 36     | 91.4 | 22.9            | 200    | 90.9 |

AEROSERV - SERVING SYSTEMS - CASHIER UNIT



**Duke Manufacturing Co.**  
 2305 N. Broadway  
 St. Louis, MO 63102

Phone: 314-231-1130  
 Toll Free: 1-800-735-3853  
 Fax: 314-231-5074

[www.dukemfg.com](http://www.dukemfg.com)

Printed in U.S.A  
 © 2019, Duke Manufacturing Co.