



Your Solutions Partner

# Specifications

F.O.B Sedalia, Missouri 65301



956-460-x

### OPTIONS:

- Radiant Heat Rods (HT) Specify Voltage
- Fluorescent Lights (FL)
- Stainless protector panel
- Special lengths
- Special guards
- Acrylic protector panel
- Heater with incandescent lights
- Double deck shelves
- Powder coat painted frames and shelf

**Approval Stamp(s):**

### PRODUCT INFORMATION:

PROJECT: \_\_\_\_\_

ITEM: \_\_\_\_\_

QUANTITY: \_\_\_\_\_

### MODEL: Foodshield - Deluxe Serving Shelves

Fits: AeroHot & Thurmaduke Steamtables, Heritage, EconoMate, Aeroserv Serving Systems

- 956-460-2
- 956-460-3
- 956-460-4 Deluxe Serving shelves
- 956-460-5
- 956-460-6

### FRAMES:

- 3/4" square stainless steel tube

### GUARDS:

- 1/4" tempered glass guard with stainless steel trim
- Full service style
- Clear acrylic enclosures both ends.

### SIZES:

- All units available in following lengths  
30-7/32", 44-7/32", 58-7/32", 72-7/32", 86-7/32

### SHELF:

- Heavy gauge stainless steel with edges flanged down

### Agency Listings:



**DUKE MANUFACTURING CO.**  
**2305 N. Broadway**  
**St. Louis, MO 63102**

**800.735.3853 Toll Free**  
**314.231.5074 Fax**  
**www.dukemfg.com**

### SHORT FORM SPECIFICATIONS:

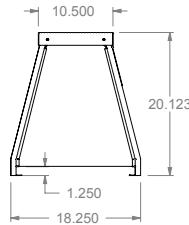
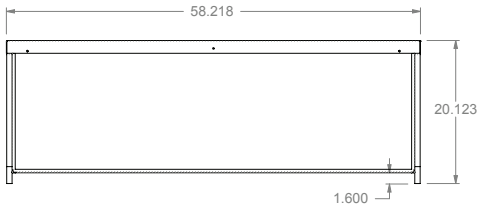
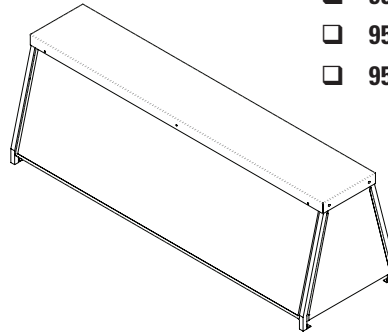
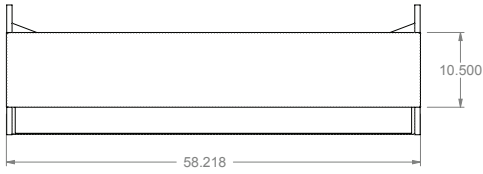
**Foodshields -956-460 Series** Deluxe serving shelves shall be constructed of heavy gauge stainless steel, with edges flanged down and supported on formed, 3/4" square stainless steel tubular brackets. These shelves shall be 10-1/2" wide. Serving shelves shall extend 20" above counter top with glass protector panel in stainless edge trim.

**NSF Updates:** (1) Bracket height change to 20" (2) End guard changed (3) Front glass height change.

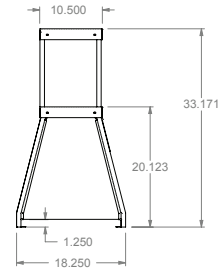
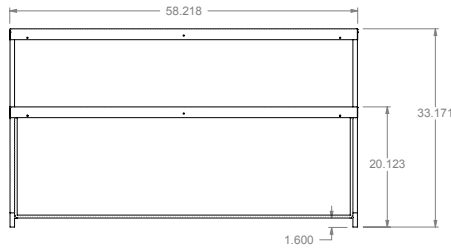
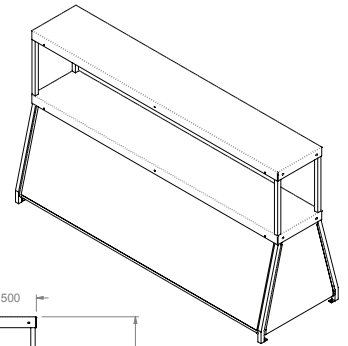
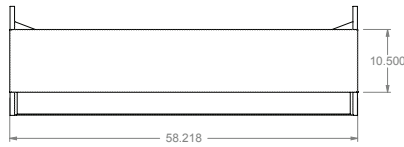
**FOODSHIELD - SERVING SHELVES**

- 956-460-2
- 956-460-3
- 956-460-4
- 956-460-5
- 956-460-6

Deluxe Serving Shelf



SINGLE SHELF



DOUBLE DECK OPTION

DIMENSIONS:  
Deluxe Serving Shelves

Freight Class: 85

| Model     | Length  |       | Width  |      | Height |      | Cube ft.<br>Crated | Weight              |      |
|-----------|---------|-------|--------|------|--------|------|--------------------|---------------------|------|
|           | in.     | cm    | in.    | cm   | in.    | cm   |                    | W/Protector<br>lbs. | kg   |
| 956-460-2 | 30-7/32 | 76.8  | 10-1/2 | 26.7 | 20     | 50.8 | 6.7                | 32                  | 14.6 |
| 956-460-3 | 44-7/32 | 112.3 | 10-1/2 | 26.7 | 20     | 50.8 | 9.3                | 40                  | 18.2 |
| 956-460-4 | 58-7/32 | 147.9 | 10-1/2 | 26.7 | 20     | 50.8 | 11.9               | 50                  | 22.7 |
| 956-460-5 | 72-7/32 | 183.4 | 10-1/2 | 26.7 | 20     | 50.8 | 14.5               | 58                  | 26.4 |
| 956-460-6 | 86-7/32 | 219.0 | 10-1/2 | 26.7 | 20     | 50.8 | 17.2               | 67                  | 30.5 |



**DUKE MANUFACTURING CO.**

2305 N. Broadway  
St. Louis, MO 63102

800.735.3853 Toll Free  
314.231.1130 In Missouri  
314.231.5074 Fax  
www.dukemfg.com

Specification subject to change