



"Your Solutions Partner"

Specifications

F.O.B Sedalia, Missouri 65301



DK-HCM36

OPTIONS:

- Cabinet base - TST-46
- Full front glass, fixed closure

Approval Stamp(s):

PRODUCT INFORMATION:

PROJECT: _____
 ITEM: _____
 QUANTITY: _____

MODEL:

Hot/Cold Merchandiser

DK-HCM36

GENERAL:

- Drop-in design
- Curved, full glass window
- 180 panoramic view
- Self-contained lighting
- Hot and cold over/under design
- Operator controlled access

HEAT COMPARTMENT:

- Rear door for hot food access
- Convection air flow for even heat distribution
- Menu card holder
- Removable wire shelf

COLD COMPARTMENT:

- Angled display shelf
- Menu card holder
- 8" deep stainless steel liner and brass drain
- Self-contained system, 120 volts, R134A refrigerant

CONTROLS:

- Hot: On-Off switch and thermostat
- Cold: On-Off switch and thermostat

AGENCY LISTINGS:



DUKE MANUFACTURING CO.

2305 N. Broadway
St. Louis, MO 63102

800.735.3853 Toll Free
314.231-1130 In Missouri
314.231.5074 Fax
www.dukemfg.com

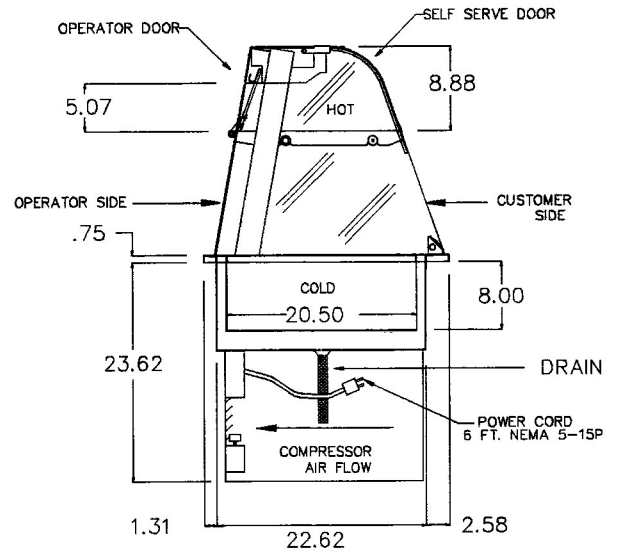
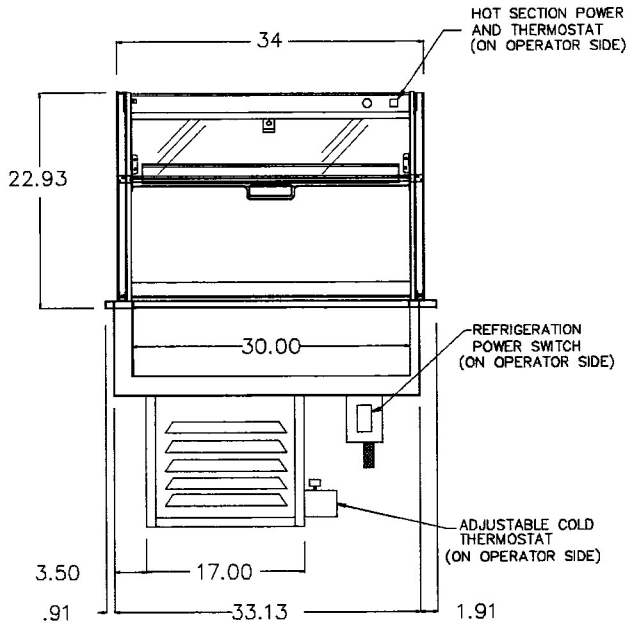
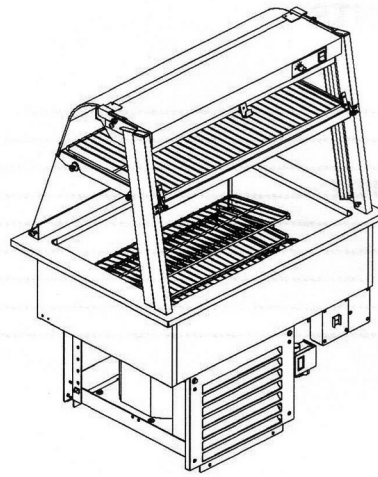
SHORT FORM SPECIFICATIONS:

Duke - Hot/Cold Merchandiser Units. Units to have both hot and cold sections. Hot section to have convection air flow system for even heat distribution, with clear panel assembly for ease in merchandising. Hot section to be supplied with thermostat and power switch on operator's side. Rear door for hot food section. Unit shall have angle display shelf in cold section with vents in rear for compressor air flow. Adjustable cold thermostat located on operator's side, with a refrigeration power switch on same side. Menu card holders on both top hot and bottom cold sections. Unit to have lights in both sections for product display.

DUKE HOT/COLD MERCHANDISER

□ DK-HCM36

LEGEND	
▲	- ELECTRICAL CONNECTION



DIMENSIONS:

Model	Countertop Length		Countertop Width		Height - from Countertop		Cube ft. Crated	Weight	
	in.	cm	in.	cm	in.	cm		lbs.	kg
DK-HCM36	36"	91.4	26-1/2	67.3	23	58.4	35.4	197	89.0

Model	Heated Compartment			
	Length		Width	
	in.	cm	in.	cm
DK-HCM36	28	71.1	16	40.6

ELECTRICAL SPECIFICATIONS:

Model	120Volt w/6' cord
DK-HCM36	11.5 Amps

DUKE MANUFACTURING CO.
2305 N. Broadway
St. Louis, MO 63102

800.735.3853 Toll Free
314.231.1130 In Missouri
314.231.5074 Fax
www.dukemfg.com



"Your Solutions Partner"

01/07

Printed in U.S.A
© 2007, Duke Manufacturing Co.

Specification subject to change