



Specifications

F.O.B Sedalia, Missouri 65301



DPAH-1H2C

OPTIONS:

- False bottom
- Hot food style top
- Tray shelves
- Fluorescent lights
- Incandescent bullet lights
- Adapter bars
- Spillage pans
- Adapter plates
- Legs in lieu of casters
- Body latches
- Tray shelf on end

AGENCY LISTINGS:



DUKE MANUFACTURING CO.
 2305 N. Broadway
 St. Louis, MO 63102

800.735.3853 Toll Free
314.231.5074 Fax
www.dukemfg.com

Approval Stamp(s):

PRODUCT INFORMATION:

PROJECT: _____
 ITEM: _____
 QUANTITY: _____

MODEL:

Econo Mate™ Buffet Units - Hot/Cold

- DPAH-1H2C/OPAH-1H2C** 1 hot food well/2 cold pan wells
- DPAH-1H3C/OPAH-1H3C** 1 hot food well/3 cold pan wells
- DPAH-2H2C/OPAH-2H2C** 2 hot food wells/2 cold pan wells
- TAH-1H2C** Table Top - 1 hot food well/2 cold pan wells
- TAH-1H3C** Table Top - 1 hot food well/3 cold pan wells
- TAH-2H2C** Table Top - 2 hot food wells/2 cold pan wells

BODY:

- Heavy gauge paint grip steel
- Choice of (12) powder coat paint colors (must choose one)
 - #217105 - Bright White
 - #217103 - Natural Almond
 - #217150 - Orange Red
 - #217154 - Racing Red
 - #217107 - Hollyberry Red
 - #217120 - Sky Blue
 - #217127 - Fence Green
 - #217152 - Stone Gray
 - #217102 - Duke Silver
 - #217113 - Brown Kickplate
 - #217101 - Semi Gloss Black
 - #217125 - Textured Black
- Heavy gauge; 300 Series stainless steel top
- Clear plexiglass canopy, with black powder coat steel brackets with end enclosures

BASES:

- Choice of
 - Open base - **O**
 - Closed base - **D**
 - Table Top - **T**
- 5" NSF listed black swivel casters, 2 with locks

HEAT COMPARTMENT:

- 12" x 20" top opening
- Insulation on sides, ends and bottom of 8" compartment
- Infinite switch controls exposed electric element
- Six foot cord and plug

ICE COOLED COLD PAN COMPARTMENT:

- 5" deep liner, sloping to 1" brass drain and plug
- Fully insulated stainless steel pan
- Width of 19-7/8"

SHORT FORM SPECIFICATIONS:

Duke Econo Mate Buffet Units - Hot/Cold. Portable Buffet with heavy gauge painted steel bodies, open or closed style, with 300 series stainless steel heavy gauge tops, sectional 5"D ice cooled s/s cold pans w/ drain, hot wells w/ infinite switches, enclosed steel base w/powder coat finish & sliding doors, clear acrylic canopy, 5" NSF approved black casters, 2 w/ locks, 6' cord & plug. Table top models available

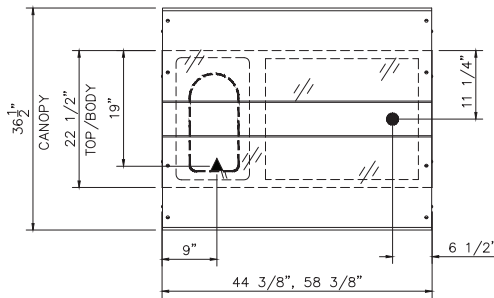
ECONO MATE BUFFET UNITS - HOT/COLD UNITS

Catalog No. EMB-HOT/COLD

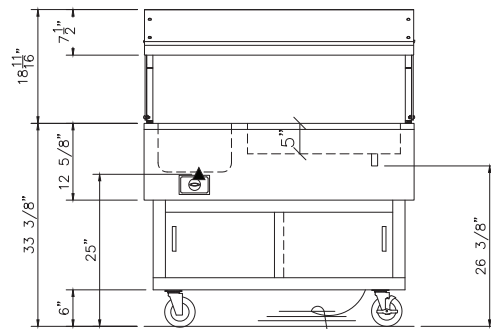
A.I.A. File No. 35-C-13

EMB-02

EconoMate



TOP VIEW



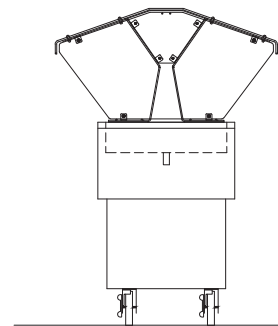
FRONT VIEW

NEMA #

MODEL: Econo Mate Buffet Units

- DPAH-1H2C/OPAH-1H2C** 1 hot food well/ 2 cold pan wells
- DPAH-1H3C/OPAH-1H3C** 1 hot food well/ 3 cold pan wells
- DPAH-2H2C/OPAH-2H2C** 2 hot food wells/ 2 cold pan wells
- TAH-1H2C** Table Top - 1 hot food well/ 2 cold pan wells
- TAH-1H3C** Table Top - 1 hot food well/ 3 cold pan wells
- TAH-2H2C** Table Top - 2 hot food wells/ 2 cold pan wells

LEGEND	
▲	- ELECTRICAL CONNECTION
●	- DRAIN LOCATION
When ordering storage bases, precede model number with "O" for Open Base or "D" for closed base with doors. Example: OPAH-2-BC for open base unit.	



SIDE VIEW

DIMENSIONS:

Portable Hot/Cold Units - All units 22-1/2" (57.2 cm) wide & 33-3/8" (84.8 cm) high

FREIGHT CLASS: 100

Model	Cold Pan Liner Dimensions								Hot Food Well		Weight	
	Length		Length		Width		Depth		Hot Food Wells	Cube ft. Crated	lbs.	kg
	in.	cm	in.	cm.	in.	cm	in.	cm				
DPAH-1H2C/OPAH-1H2C	44-3/8	112.8	26	66.0	19-7/8	50.6	5	12.7	1	32.0	246/242	111.8/110.0
DPAH-1H3C/OPAH-1H3C	58-3/8	148.3	40	101.6	19-7/8	50.6	5	12.7	1	40.9	303/299	137.7/135.9
DPAH-2H2C/OPAH-2H2C	58-3/8	148.3	26	66.0	19-7/8	50.6	5	12.7	2	40.9	303/299	137.7/135.9

Table Top Hot/Cold Units - All units 22-1/2" (57.2 cm) wide & 13-5/8" (34.7 cm) high

FREIGHT CLASS: 100

Model	Cold Pan Liner Dimensions								Hot Food Wells	Cube ft. Crated	Weight	
	Length		Length		Width		Depth				lbs.	kg
	in.	cm	in.	cm.	in.	cm	in.	cm				
TAH-1H2C	44-3/8	112.8	26	66.0	19-7/8	50.6	5	12.7	1	16.7	198	90.0
TAH-1H3C	58-3/8	148.3	40	101.6	19-7/8	50.6	5	12.7	1	21.4	252	114.6
TAH-2H2C	58-3/8	148.3	26	66.0	19-7/8	50.6	5	12.7	2	21.4	257	116.8

ELECTRICAL SPECIFICATIONS:

Model	120 Volt			208 Volt			240 Volt		
	Watts	Amps	NEMA	Watts	Amps	NEMA	Watts	Amps	NEMA
PAH-1H2C/TAH-1H2C	500	4.2	5-15	750	3.6	6-20	750	3.1	6-20
PAH-1H3C/TAH-1H3C	500	4.2	5-15	750	3.6	6-20	750	3.1	6-20
PAH-2H2C/TAH-2H2C	1000	8.3	5-15	1500	7.2	6-20	1500	6.2	6-20

DUKE MANUFACTURING CO.

2305 N. Broadway
St. Louis, MO 63102

800.735.3853 Toll Free
800.231.1130 In Missouri
314.231.5074 Fax
www.dukemfg.com

