



"Your Solutions Partner"

Specifications

F.O.B Sedalia, Missouri 65301



TCM-46-N7

OPTIONS:

- Internal Locking device
- 10" deep pan liner
- 14 gauge tops
- 220v - 50 Hz compressor
- Condensate evaporator
- 50 cycle compressor
- False Bottom
- Serving Shelves - 956-460-x, T5454-x, T5449-x
- Designer Food Shields - TS530-xx/TS530-xx-1SN
TS540-xx/TS550-xx/TS560-xx/TS570-xx/TS580-xx/
TS580-xx-a1SN
- Sliding doors - (3 section & larger - requires partition)
- Hinged doors
- Tray Slides - TS3BTS-HD/FX, TSSOLID-HD/FX
- Bumpers - TMOD-8
- Pusher Bar - TMOD-7
- Stainless steel legs - TMOD-15
- Duplex outlet - TE-OP1, TE-OP2, TE-OP3, TE-OP4
- J-hook to hold cord and plug
- 8' or 10' cord and plug
- Food pans - see Top Equipment section in price guide
- Veneered plastic laminate panels on body - TSS-xP
- Powder coat paint colors
- Drain and condensing unit on operator's left
- Wood, stainless steel or poly cutting boards
- Stainless steel kickplates - TMOD-2

AGENCY LISTING:



DUKE MANUFACTURING CO.

2305 N. Broadway
St. Louis, MO 63102

800.735.3853 Toll Free
314.231.1130 In Missouri
314.231.5074 Fax
www.dukemfg.com

Approval Stamp(s):

PRODUCT INFORMATION:

PROJECT: _____

ITEM: _____

QUANTITY: _____

MODEL:

Thurmaduke Serving Systems - Cold Pan NSF Standard 7 - 8" Deep

- TCM-32-N7 32" length units
- TCM-46-N7 46" length units
- TCM-60-N7 60" length units
- TCM-74-N7 74" length units
- TCM-88-N7 88" length units

TOP:

- 16 gauge, 300 Series stainless steel
- Edges flanged down 2" at 90° - all four sides
- Inside edges flanged down 90° against liner

COLD PAN LINER:

- 300 Series stainless steel - 8" deep - holds up to 4" deep pans
- Removable stainless steel brackets 3" below top
- Insulated on all four sides and bottom
- 1" drain pipe and shut-off valve

REFRIGERATION:

- 120 VOLT - 1 Phase - R134A refrigerant
- Condensing unit below top on operator's right
- Copper coils attached to sides of 8" liner
- 6' electric cord and plug - NEMA 5-15
- Necessary controls for operation

BODY:

- Choice of (12) powder coat paint colors (must choose one):
 - #217105 - Designer White
 - #217150 - Orange Red
 - #217107 - Hollyberry Red
 - #217127 - Fence Green
 - #217102 - Duke Silver
 - #217101 - Semi-Gloss Black
 - #217103 - Natural Almond
 - #217154 - Racing Red
 - #217120 - Sky Blue
 - #217152 - Stone Gray
 - #217113 - Brown Kickplate
 - #217125 - Textured Black
- Stainless steel body
 - Operator's side open to bottom shelf
 - Customer side and ends fully enclosed
 - Bottom shelf paint grip or stainless steel to match body

SHORT FORM SPECIFICATIONS:

Thurmaduke Serving Systems - Cold Pan Units - NSF Standard 7. Top shall be constructed of 16 gauge, 300 Series stainless steel with edges flanged down 2" at 90° on all four sides and flush with body on ends. Inside edges flanged down at 90° against liner. Body shall be free standing and formed of heavy gauge steel with specified powder coat paint color or 300 Series stainless steel. Operators side shall be open to bottom shelf with corners of end panels die-formed into channels. Side opposite operator and ends fully enclosed. Bottom shelf shall have edges flanged down on all four sides providing 15-1/2" clearance for storage. Condensing unit suspended below top on operator's right with stainless steel louvered grille to provide proper air circulation. Unit refrigerated by copper coils which shall be attached to sides only of 8" deep liner. Unit provided with electric cord and plug and necessary controls for operation. Cold pan liner shall be constructed of 300 Series stainless steel with 1" drain. Liner to be equipped with drain pipe and shutoff valve. Liner to be 21-3/4" wide and insulated on all four sides and bottom. Unit shall be mounted on NSF approved 5" polyurethane casters, all swivel, two with locks. Must add "PG" to model number for Paint Grip Bodies, "SS" for Stainless Steel bodies.

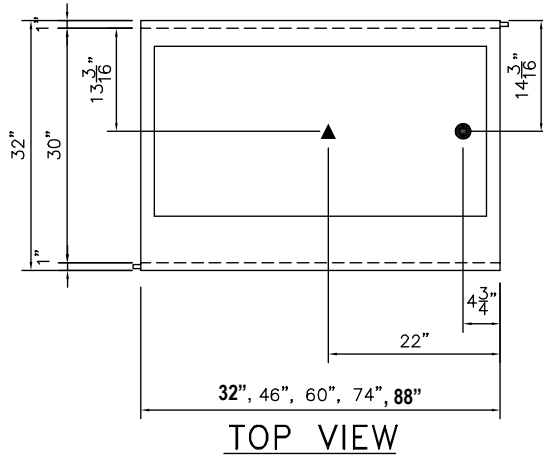
TSS-10



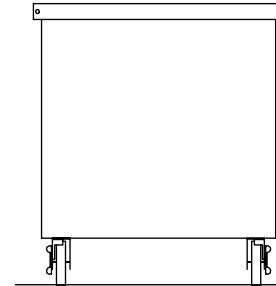
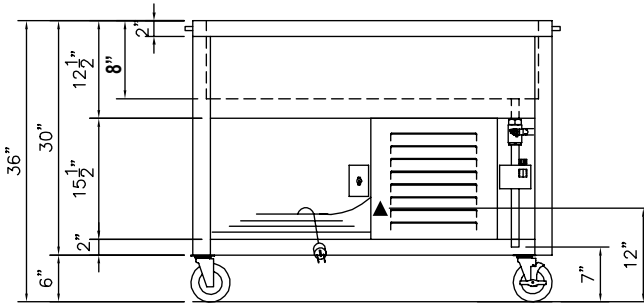
THURMADUKE SERVING SYSTEMS

Cold Pan Units - NSF Standard 7

- TCM-32-N7** 32" length units
- TCM-46-N7** 43" length units
- TCM-60-N7** 60" length units
- TCM-74-N7** 74" length units
- TCM-88-N7** 88" length units



| LEGEND | |
|--------|---|
| ■ | ELECTRICAL CONNECTION - 6' Cord & Plug |
| ● | DRAIN LOCATION - 1" brass drain, shut-off valve, drain extension 7" above floor |



DIMENSIONS: Mechanical 8" Deep Cold Pan - All Units: Height - 36" (91.4 cm); Width - 32: (81.3cm)

FREIGHT CLASS: 150

| Model | Body Length | | Cold Pan Liner Dimensions | | | | | | Cube ft. crated | Weight | |
|-----------|-------------|-------|---------------------------|-------|--------|------|-------|------|-----------------|--------|-------|
| | | | Length | | Width | | Depth | | | lbs | kg |
| | in. | cm | in. | cm. | in. | cm | in. | cm | | | |
| TCM-32-N7 | 32 | 81.3 | 28-1/2 | 72.4 | 21-3/4 | 55.3 | 8 | 20.3 | 34.8 | 255 | 115.9 |
| TCM-46-N7 | 46 | 116.8 | 42-1/2 | 108.0 | 21-3/4 | 55.3 | 8 | 20.3 | 47.7 | 354 | 160.9 |
| TCM-60-N7 | 60 | 152.4 | 56-1/2 | 143.5 | 21-3/4 | 55.3 | 8 | 20.3 | 60.5 | 425 | 193.2 |
| TCM-74-N7 | 74 | 188.0 | 70-1/2 | 179.1 | 21-3/4 | 55.3 | 8 | 20.3 | 73.3 | 518 | 235.5 |
| TCM-88-N7 | 88 | 223.5 | 84-1/2 | 214.6 | 21-3/4 | 55.3 | 8 | 20.3 | 86.2 | 580 | 263.4 |

ELECTRICAL SPECIFICATIONS: (Consult factory for other options:)

| Model | 120 Volt/NEMA 5-15 | |
|-----------|--------------------|-----|
| | Amps | HP |
| TCM-32-N7 | 2.8 | 1/5 |
| TCM-46-N7 | 3.9 | 1/4 |
| TCM-60-N7 | 4.8 | 1/4 |
| TCM-74-N7 | 4.8 | 1/3 |
| TCM-88-N7 | 4.8 | 1/3 |

DUKE MANUFACTURING CO.
 2305 N. Broadway
 St. Louis, MO 63102

800.735.3853 Toll Free
 314.231.1130 In Missouri
 314.231.5074 Fax
www.dukemfg.com



"Your Solutions Partner"

Specifications subject to change

06/08
 Printed in U.S.A
 © 2008, Duke Manufacturing Co.