



"Your Solutions Partner"

Specifications

F.O.B Sedalia, Missouri 65301



TFT-46

OPTIONS:

- 14 gauge tops
- Internal Locking device
- 220v - 50Hz compressor
- 50 cycle compressor
- Condensate evaporator
- Sliding doors - **TS329**
- Hinged doors
- Glass display shelves - **TX580-xx/TS580-xx-1SN**
- Serving Shelves - **956-460-x, T5454-x, T5449-x**
- Designer Food Shields - **TS530-xx/TS530-xx-1SN**
TS540-xx/TS550-xx/TS560-xx/TS570-xx
- Tray Slides - **TS3BTS-HD/FX, TSSOLID-HD/FX**
- J-hook to hold cord and plug
- Pusher Bar - **TMOD-7**
- Rubber corner bumpers - **TMOD8**
- Stainless steel legs - **TMOD-15**
- Veneered plastic laminate panels on body - **TSS-xP**
- Drain and condensing unit on operator's left
- Powder coat paint colors
- Electric outlet in base, 6' cord and plug
- Stainless steel kickplates - **TMOD-2**
- Wood, stainless steel or poly cutting boards

AGENCY LISTING:



DUKE MANUFACTURING CO.

2305 N. Broadway
St. Louis, MO 63102

800.735.3853 Toll Free
314.231.1130 In Missouri
314.231.5074 Fax
www.dukemfg.com

Approval Stamp(s):

PRODUCT INFORMATION:

PROJECT: _____

ITEM: _____

QUANTITY: _____

MODEL:

Thurmduke Serving Systems - Frost Top Unit

- **TFT-32** 32" length units/22-1/4" display length
- **TFT-46** 46" length units/38-14" display length
- **TFT-60** 60" length units/50-1/4" display length
- **TFT-74** 74" length units/62-1/4" display length
- **TFT-88** 88" length units/78-1/4" display length

TOP:

- 16 gauge, 300 Series stainless steel
- Flanged all four sides, flush on ends

FROST-TOP SURFACE:

- Raised 1" above counter top
- Stainless steel refrigerated platform
- Condensate trough with a 1" brass drain
- Drain and shut-off valve on operators right

REFRIGERATION:

- Condensing unit below top on operator's right - 12V, 1Ph
- Stainless steel louvered grille and operation controls
- Copper coils under platform - R134A refrigerant
- 6' electric cord and plug - NEMA 5-15

BODY:

- Paint grip or stainless steel
- Choice of (12) powder coat paint colors (must choose one):
 - #217105 - Designer White
 - #217103 - Natural Almond
 - #217150 - Orange Red
 - #217154 - Racing Red
 - #217107 - Hollyberry Red
 - #217120 - Sky Blue
 - #217127 - Fence Green
 - #217152 - Stone Gray
 - #217102 - Duke Silver
 - #217113 - Brown Kickplate
 - #217101 - Semi-Gloss Black
 - #217125 - Textured Black
- Operator's side open to bottom shelf
- Side opposite operator and ends fully enclosed
- Bottom shelf paint grip or stainless steel to match body

SHORT FORM SPECIFICATIONS:

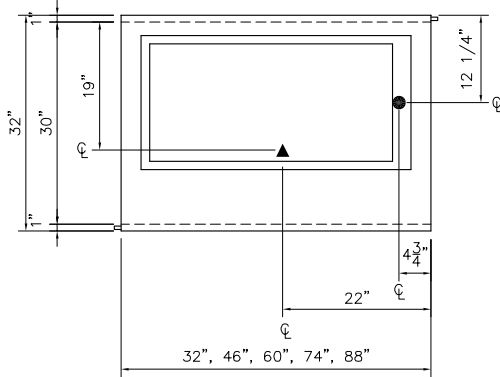
Thurmduke Serving Systems - Frost Top Units. Top shall be constructed of 16 gauge, 300 Series stainless steel with edges flanged down 2" at 90° against drain trough which shall be furnished with 1" drain and plug. Frost Top surface shall be raised 1" above unit and fabricated of stainless steel with patented refrigerated construction. Body shall be free standing and formed of heavy gauge steel with specified powder coat paint color or 300 Series stainless steel. Operators side shall be open to bottom shelf with corners of end panels die-formed into channels. Side opposite operator and ends fully enclosed. Bottom shelf shall have edges flanged down on all four side providing 21" clearance less condensing unit for storage. Condensing unit suspended below top on operator's right with stainless steel louvered grille to provide proper air circulation. Unit refrigerated by copper coils and provided with electric cord and plug. Unit shall be mounted on NSF approved 5" polyurethane casters, all swivel, two with locks. Must add "PG" to model number for Paint Grip Bodies, "SS" for Stainless Steel bodies.



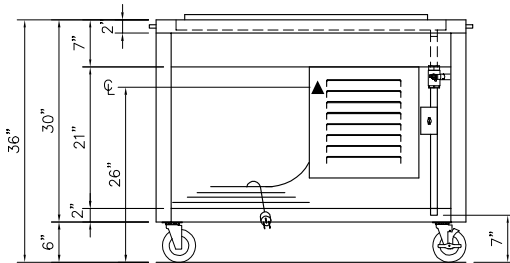
THURMADUKE SERVING SYSTEMS

Frost Top Units

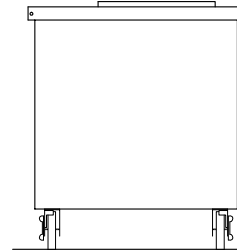
- TFT-32** 32" length units/22-1/4" display length
- TFT-46** 46" length units/38-1/4" display length
- TFT-60** 60" length units/50-1/4" display length
- TFT-74** 74" length units/62-1/4" display length
- TFT-88** 88" length units/78-1/4" display length



TOP VIEW



FRONT VIEW



RIGHT SIDE VIEW

LEGEND	
▲	- ELECTRICAL CONNECTION POINT SINGLE PHASE
●	- DRAIN LOCATION

DIMENSIONS:

FREIGHT CLASS: 150

Model	Length		Width		Height		Cube ft. crated	Weight		Display Surface			
	in.	cm	in.	cm	in.	cm		lbs.	kg	Length		Width	
										in.	cm	in.	cm
TFT-32	32	81.3	32	81.3	36	91.4	34.8	245	111.4	22-1/4	56.5	17	43.2
TFT-46	46	116.8	32	81.3	36	91.4	39.1	220	100.0	38-1/4	98.4	17	43.2
TFT-60	60	152.4	32	81.3	36	91.4	49.6	284	129.1	50-1/4	128.9	17	43.2
TFT-74	74	188.0	32	81.3	36	91.4	60.1	349	158.6	62-1/4	159.4	17	43.2
TFT-88	88	223.5	32	81.3	36	91.4	86.2	570	259.1	78-1/4	198.8	17	43.2

ELECTRICAL SPECIFICATIONS:

Model	120 Volt		HP
	Amps	NEMA	
TFT-32	6.0	5-15	1/4
TFT-46	6.0	5-15	1/4
TFT-60	6.0	5-15	1/4
TFT-74	6.0	5-15	1/4
TFT-88	6.0	5-15	1/4

DUKE MANUFACTURING CO.
 2305 N. Broadway
 St. Louis, MO 63102

800.735.3853 Toll Free
 314.231.1130 In Missouri
 314.231.5074 Fax
www.dukemfg.com



"Your Solutions Partner"

Specifications subject to change

06/08
 Printed in U.S.A.
 © 2008, Duke Manufacturing Co.