



Your Solutions Partner

Specifications

F.O.B. Sedalia, Missouri 65301



TFT-46

OPTIONS:

- 14 gauge tops
- Internal Locking device
- 220v - 50Hz compressor
- Condensate evaporator
- Foodshields
- Workshelves
- Trayslides
- Sliding/Hinged doors
- 6" adjustable stainless steel legs
- Veneered plastic laminate panels on body
- Drain and condensing unit on operator's left
- Powder coat paint colors
- Kickplates s/s or p/g
- 6', 8' - 12' cord & plug

Approval Stamp(s):

PRODUCT INFORMATION:

PROJECT: _____

ITEM: _____

QUANTITY: _____

MODEL:

Thurmaduke Serving Systems

Frost Top Unit

- TFT-32** 32" length units/22-1/4" display length
- TFT-46** 46" length units/38-14" display length
- TFT-60** 60" length units/50-1/4" display length
- TFT-74** 74" length units/62-1/4" display length
- TFT-88** 88" length units/78-1/4" display length

TOP:

- 16 gauge, 300 Series stainless steel
- Flanged all four sides, flush on ends

FROST-TOP SURFACE:

- Raised 1" above counter top
- Stainless steel refrigerated platform
- Condensate trough with a 1" brass drain
- Drain and shut-off valve on operators right

REFRIGERATION:

- Condensing unit below top on operator's right - 120V, 1Ph
- Stainless steel louvered grille and operation controls
- Copper coils under platform - R134A refrigerant
- 6' electric cord and plug - NEMA 5-15

BODY:

- Paint grip or stainless steel
- Choice of (12) powder coat paint colors.
- Operator's side open to bottom shelf
- Side opposite operator and ends fully enclosed
- Bottom shelf paint grip or stainless steel to match body

Agency Listings:



Specification subject to change



DUKE MANUFACTURING CO.
 2305 N. Broadway
 St. Louis, MO 63102
 800.735.3853 Toll Free
 314.231.5074 Fax
 www.dukemfg.com
 SS-1171 Thurmaduke Frost Top

REV B 04/20/2020

THURMADUKE SERVING SYSTEMS - FROST TOP UNITS

Catalog No. TSS-FROST

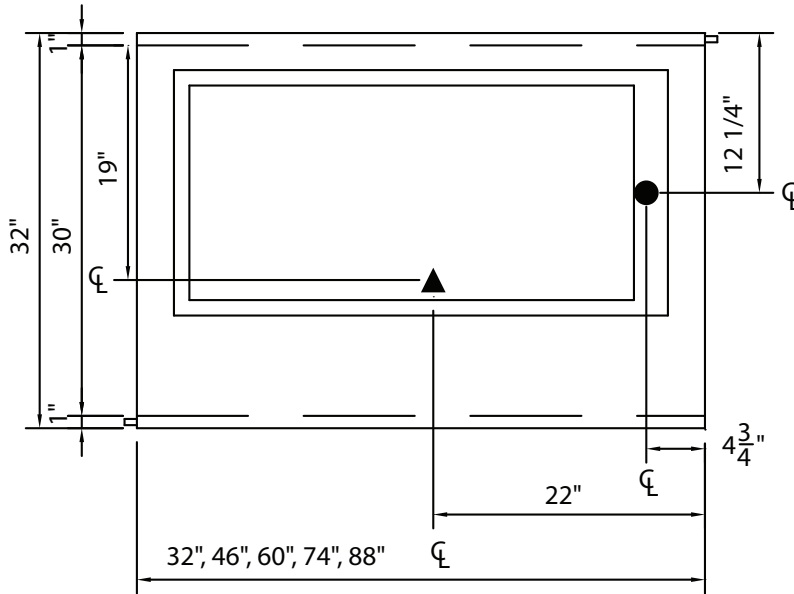
A.I.A. File No. 35-C-13



THURMADUKE SERVING SYSTEMS Frost Top Units

A.I.A. File No. 35-C-13

Catalog No. TSS-FROST

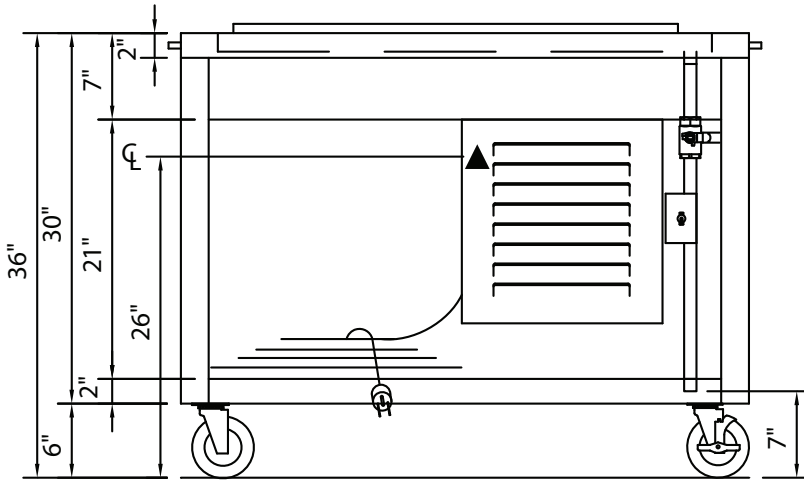


TOP VIEW

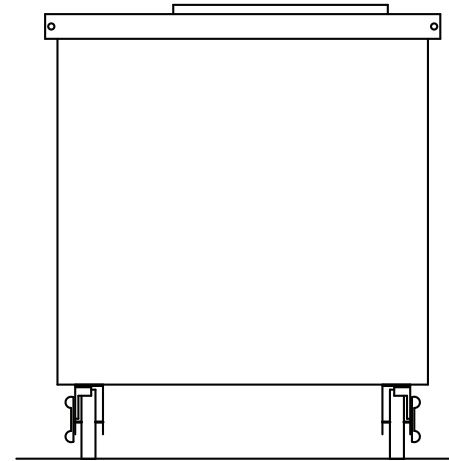
LEGEND	
▲	ELECTRICAL CONNECTION POINT SINGLE PHASE
●	DRAIN LOCATION

ELECTRICAL SPECIFICATIONS:

Model	120 Volt		
	Amps	NEMA	HP
TFT-32	6.0	5-15	1/4
TFT-46	6.0	5-15	1/4
TFT-60	6.0	5-15	1/4
TFT-74	6.0	5-15	1/4
TFT-88	6.0	5-15	1/4



FRONT VIEW



RIGHT SIDE VIEW

DIMENSIONS:

Freight Class: 150

Model	Length		Width		Height		Display Surface				Cube ft. crated	Weight	
	in	cm	in	cm	in	cm	Length		Width			lbs	kg
							in	cm	in	cm			
TFT-32	32	81.3	32	81.3	36	91.4	22-1/4	56.5	17	43.2	34.8	245	111.4
TFT-46	46	116.8	32	81.3	36	91.4	38-1/4	98.4	17	43.2	39.1	220	100.0
TFT-60	60	152.4	32	81.3	36	91.4	50-1/4	128.9	17	43.2	49.6	284	129.1
TFT-74	74	188.0	32	81.3	36	91.4	62-1/4	159.4	17	43.2	60.1	349	158.6
TFT-88	88	223.5	32	81.3	36	91.4	78-1/4	198.8	17	43.2	86.2	570	259.1

THURMADUKE SERVING SYSTEMS - FROST TOP UNITS



Duke Manufacturing Co.
2305 N. Broadway
St. Louis, MO 63102

Phone: 314-231-1130
Toll Free: 1-800-735-3853
Fax: 314-231-5074

www.dukemfg.com