



Your Solutions Partner

# Specifications

F.O.B Sedalia, Missouri 65301



TMD-46

### OPTIONS:

- 14 gauge tops
- Internal Locking device
- Lid locking bar and pins on top
- Workshelves
- Trayslides
- 6" Adjustable Stainless steel legs
- Veneered plastic laminate panels on body
- Powder coat paint colors
- 8' or 10' cord and plug
- Kickplates s/s and p/g

### AGENCY LISTING:



**DUKE MANUFACTURING CO.**  
**2305 N. Broadway**  
**St. Louis, MO 63102**

**800.735.3853 Toll Free**  
**314.231.1130 In Missouri**  
**314.231.5074 Fax**  
**www.dukemfg.com**

SS-DM-00031-TSS-13

## Approval Stamp(s):

### PRODUCT INFORMATION:

PROJECT: \_\_\_\_\_

ITEM: \_\_\_\_\_

QUANTITY: \_\_\_\_\_

### MODEL:

#### Thurmaduke Serving Systems Milk/Ice Cream Units

- TMD-46** Capacity: 252 half-pint peak top milk cartons
- TIF-46** Capacity: 528 3oz ice cream cartons

### TOP:

- 16 gauge, 300 Series stainless steel
- Edges Flanged down 2" on 90° on all four sides
- Insulated stainless steel hinged lid

### DISPENSER MECHANISM:

- Removable, stainless steel dispensers
- Pan-type carrier - 18-1/2" x 22-1/4"
- System of springs and stainless steel guides

### REFRIGERATION:

- Four-wall copper refrigerant coils
- Thermostatic expansion valve - use with R-134A or R-404A refrigerant
- 120 volt condensing unit, 840 watts
- 5' electric cord and plug - NEMA 5-15
- 38°F in milk cabinets
- -10°F to 0°F in ice cream cabinets

### LINER:

- Stainless steel liner
- 1" IPS thermoplastic drain, with valve
- Foam-in-place polyurethane insulation - 2" on sides, 2" on bottom

### BODY:

- Choice of (12) powder coat paint colors (must choose one):
 

<input type="checkbox"/> #217105 - Designer White	<input type="checkbox"/> #217103 - Natural Almond
<input type="checkbox"/> #217150 - Orange Red	<input type="checkbox"/> #217154 - Racing Red
<input type="checkbox"/> #217107 - Hollyberry Red	<input type="checkbox"/> #217120 - Sky Blue
<input type="checkbox"/> #217127 - Fence Green	<input type="checkbox"/> #217152 - Stone Gray
<input type="checkbox"/> #217102 - Duke Silver	<input type="checkbox"/> #217113 - Brown Kickplate
<input type="checkbox"/> #217101 - Semi-Gloss Black	<input type="checkbox"/> #217125 - Textured Black
- Stainless steel body
- Side and ends fully enclosed
- NSF approved, 5" diameter polyurethane casters, 2 with brakes

### SHORT FORM SPECIFICATIONS:

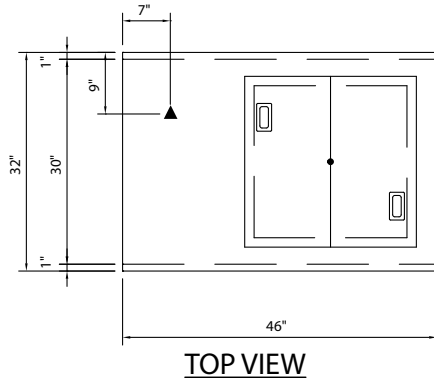
**Thurmaduke Serving Systems - Milk/Ice Cream Units.** Top shall be 16ga, 300 series Stainless Steel flanged down edges, flush at ends, watertight refrigerated s/s liner with perimeter breaker strips, bi-fold lid, s/s self leveling rack, 20ga s/s body, 5" dia. NSF approved swivel casters, 2 w/ locks, 6' cord & plug

# Thurmaduke®

## THURMADUKE SERVING SYSTEMS

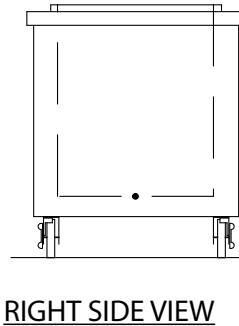
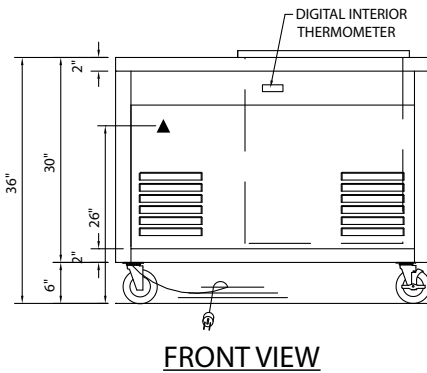
### Milk/Ice Cream Units

- TMD-46** Capacity: 252 half-pint peak top milk cartons  
400 half-pint flat top milk cartons
- TIF-46** Capacity: 528 3oz ice cream cartons  
500 3" x 1-3/4" ice cream cartons



<b>LEGEND</b>	
▲	<b>ELECTRICAL CONNECTION</b> - 5' cord and plug
●	<b>DRAIN LOCATION</b>

**TMD46**



**DIMENSIONS:**

Freight Class: 150

Model	Length		Width		Height		Cube ft. crated	Weight	
	in.	cm.	in.	cm.	in.	cm.		lbs.	kg.
<b>TMD-46</b>	46	81.3	32	81.3	36	91.4	49.5	450	204.6
<b>TIF-46</b>	46	81.3	32	81.3	36	91.4	49.5	470	213.6

Model	Refrigerated Area					
	Length		Width		Depth	
	in.	cm.	in.	cm.	in.	cm.
<b>TMD-46/TIF-46</b>	24-1/2	58.4	21-1/4	58.4	25-3/4	67.3

**NOTE:** Available with compressor on right or left.

**ELECTRICAL SPECIFICATIONS:** (Consult factory for other options.)

Model	120 Volt/NEMA 5-15 840 Watts	
	Amps	HP
<b>TMD-46</b>	4.5	1/4
<b>TIF-46</b>	7	1/4

**DUKE MANUFACTURING CO.**

2305 N. Broadway  
St. Louis, MO 63102

800.735.3853 Toll Free  
800.231.1130 In Missouri  
314.231.5074 Fax  
[www.dukemfg.com](http://www.dukemfg.com)

