

# Small Footprint, HIGH CAPACITY.



*Now available in a countertop model!*

Stoelting's **0111** gravity freezer will boost your high-margin soft serve business. This high volume, compact, hardworking countertop machine pours on the profits for restaurants, fast food operations, buffets, cafeterias and family fun centers.

No matter what you're serving – anything from soft serve ice cream to yogurt and custard – the high-capacity **0111** is designed with state-of-the-art features that guarantee years of dependable service.

We're so confident of the performance that we back every soft serve freezer with a five-year warranty on the compressor, evaporator/hopper assembly, drive motor, speed reducer and auger flights (against breakage), plus a one-year warranty on all other non-wear parts.

There's nothing cooler than serving up profits with Stoelting's soft serve gravity freezers!

**0111** – High-Capacity,  
Single Flavor, Soft Serve  
Gravity Freezer

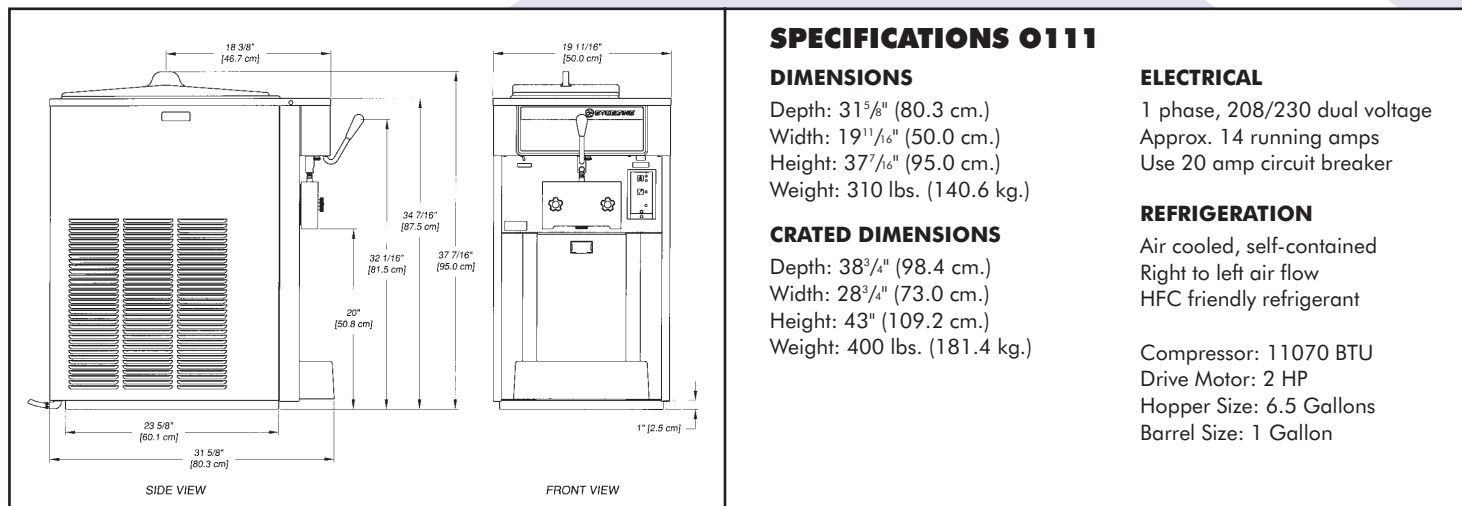


 **STOELTING**<sup>®</sup>  
Since 1905

# O111 FEATURES

An innovator in engineering and manufacturing, Stoelting packed the O111 with profit-boosting features:

- Patented mix inlet regulators provide optimum product quality, consistently low portion cost and no priming
- Digital microprocessor control circuitry assures peak efficiency and uniform product consistency
- Energy Conservation Mode (ECM) protects product from over-agitation during slow or non-draw periods
- Self-closing spigot eliminates waste and assures precise portion control
- Self-sharpening, nonmetallic auger flights for reliable service
- Tamper-proof controls for error-free operation and self-serve applications
- Mix low light indicator
- Control senses error conditions and displays codes for easy diagnosis



Continuous research leads to ongoing product improvements; therefore, these specifications are subject to change without notice.

Distributed by:



Stoelting  
502 Highway 67 • Kiel, WI 53042-1600  
920-894-2293 • 800-558-5807  
Fax: 920-894-7029  
E-mail: commercial@stoelting.com  
Internet: www.stoelting.com

Certified, Listed  
and/or Recognized by:

**UL**  
**Pending**

**NSF**  
**Pending**

04/02