

# HIGH CAPACITY COMBINATION SOFT SERVE/SHAKE MACHINE W/REFRIGERATED CABINET

SU444



- Allows the operator to dispense smooth soft serve from the left side and thick creamy shakes from the right side with the convenience and cost of one unit.
- Provides greater reliability and quieter operation with the combination of Stoelting's high efficiency evaporator system and Scroll™ compressor.
- Refrigerated mix storage cabinet has a slide-out shelf that holds two 8-gallon mix containers.
- Mix pump injects the precise amount of air into the mix, providing consistent overrun to ensure maximum profitability.
- Clean-in-place simplicity of pump reduces labor.
- Proprietary auger design gently folds mix and prevents product breakdown, producing a smoother, creamier product.
- Long-wearing parts offer low preventative maintenance costs.
- Optional bag connection system eliminates potential mix contamination sources.

## SOFT SERVE

- Standby refrigeration mode provides fresh creamy product at opening time.
- Maximum freezing mode allows for high volume dispensing.

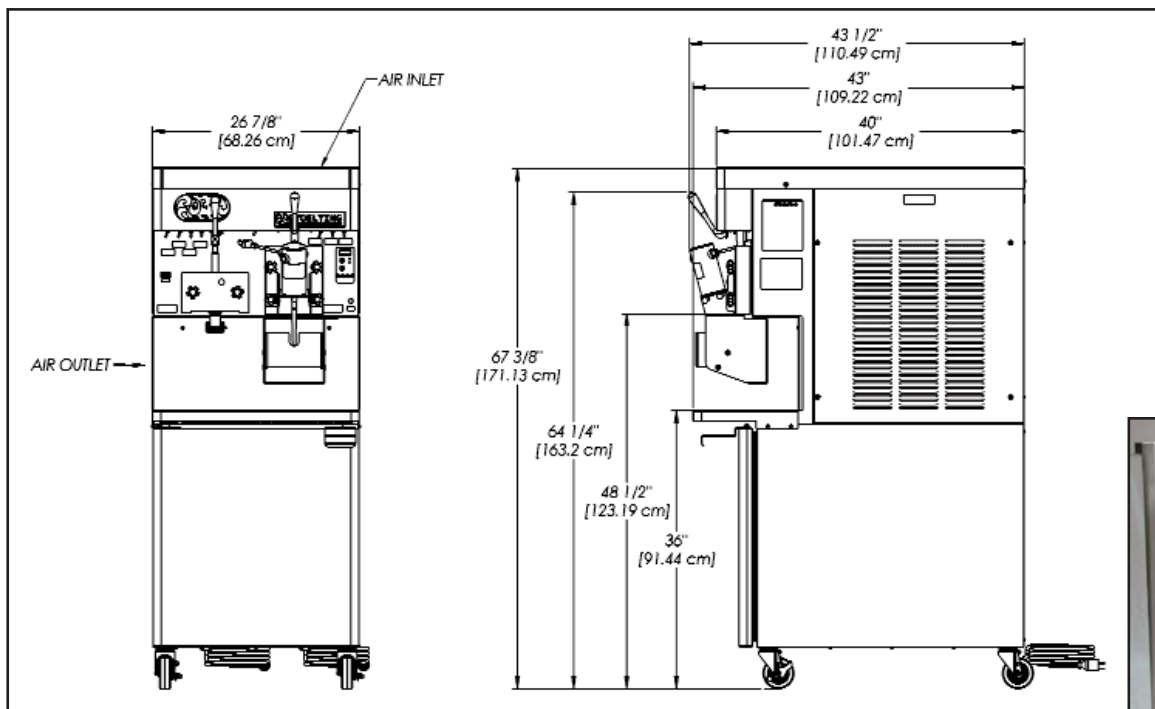
## SHAKE

- The IntelliTec control features a display, which communicates with the operator for worry-free operation.
- Dispensing and mixing product is accomplished with a single front-mounted handle, for fastest speed of service.



Model U444 (without mixer).





Refrigerated Storage Cabinet showing slide-out mix shelf and bag connection system.

Model SU444				
<b>Dimensions</b>	<b>Machine</b>		<b>with crate</b>	
	width	26-7/8" (68,3 cm)	34" (86,4 cm)	
	height	67-3/8" (171,1 cm)	78" (198,1 cm)	
depth	40" (101,6 cm)		48" (121,9 cm)	
<b>Weight</b>	760 lbs (344,7 kg)		908 lbs (411,8 kg)	
<b>Electrical</b>	<b>1 Phase, 208-240 VAC, 60Hz</b>		<b>3 Phase, 208-240 VAC, 60Hz</b>	
	<b>Left</b>	<b>Right</b>	<b>Left</b>	<b>Right</b>
running amps	approximately 21A	approximately 15A	approximately 17A	approximately 15A
connection type	NEMA L6-30P	NEMA L6-30P	NEMA L15-30P	NEMA L15-30P
<b>Compressor</b>	Soft Serve - 19,000 Btu/hr Scroll™ Compressor (R-404A) Shake - 15,000 Btu/hr Scroll™ Compressor (R-404A) Cabinet - 1,300 Btu/hr Compressor (R-134a)			
<b>Drive Motor</b>	Soft Serve - 2 hp, Shake - 3/4 hp			
<b>Air Flow</b>	Air cooled units require 3" (7,6 cm) air space on both sides, 6" back.			
<b>Hopper Volume</b>	Two - 8 gallons (30,29 liters)			
<b>Freezing Cylinder Volume</b>	Soft Serve - 1.33 gallon (5.32 quart), 5,4 liters Shake - 2.1 gallon (8.4 quart), 7,95 liters			
<b>Warranty</b>	Five-year warranty on compressor, evaporator assembly, drive motor, speed reducers, and auger. One-year warranty on remaining parts and labor.			

Continuous research leads to ongoing product improvements; therefore, these specifications are subject to change without notice.

Distributed by:



FOODSERVICE EQUIPMENT  
502 Highway 67 • Kiel, WI 53042-1600  
920-894-2293 • 800-558-5807  
Fax: 920-894-7029  
E-mail: foodservice@stoelting.com  
www.stoeltingfoodservice.com

ISO 9001:2000 Registered

Certified, Listed and/or Recognized by:



07/09