

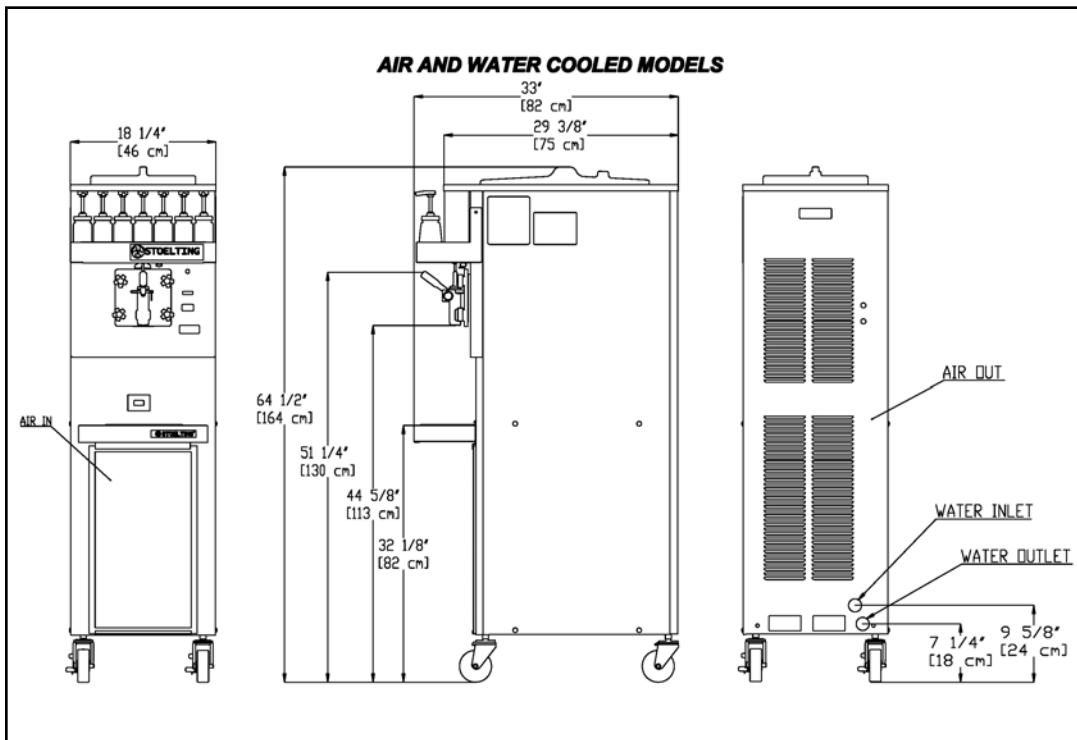
## NEW ULTRA-HIGH CAPACITY FROZEN BEVERAGE DISPENSER



Optional Cup Holders

- High production capacity in a compact design, Stoelting's extra high capacity Frozen Beverage Dispensers have a 11,000 Btu/hr. Scroll™ Compressor, a 28-Quart Mix Hopper, and a large 2-Gallon Freezing Cylinder for high-volume dispensing and quick recovery.
- Fast dispense for quick fill of pitchers; controlled dispense for drinks by the glass.
- Offer ready-to serve frozen cocktails, or frozen neutral base for high-margin specialty items.
- Front to rear air flow with removable air filter, quiet and efficient.
- Automatic standby mode maintains product consistency while conserving energy.
- Auto fill ready; auto fill kit (2187317) available for use with electric Fill-o-matic II or compressed air Fill-o-matic III auto fill systems.
- Bottle rack kit with 7 flavor dispensers included.
- Air-Cooled and Water-Cooled condenser versions available.





SPECIFICATIONS	MODEL U218	
<b>DIMENSIONS</b>	<b>FREEZER</b>	<b>WITH CRATE</b>
Width	18 1/4" (46 cm)	25" (64 cm)
Height	64 1/2" (164 cm)	66" (168 cm)
Depth	33" (82 cm)	51" (130 cm)
<b>WEIGHT</b>	<b>FREEZER</b>	<b>WITH CRATE</b>
	315 lbs. (142.9 kg)	410 lbs. (186 kg)
<b>ELECTRICAL</b>	1 phase, 208/240 volt, 60 Hz Factory pre-wired with a NEMA 6-20P, 7 ft. power cord. Total running amps: 12 Maximum fuse size: 20 amp HACR type, or regular circuit breaker. ----- 1 phase, 220 VAC, 50 Hz also available.	
<b>REFRIGERANT</b>	R404A	
<b>COMPRESSOR</b>	11,000 Btu/hr. Scroll™ compressor	
<b>DRIVE MOTOR</b>	1/2 hp	
<b>AIR FLOW</b>	Front to back air flow. Air cooled units require 6" clearance at the back.	
<b>PLUMBING FITTINGS</b>	Water cooled requires 3/8" N.P.T. water and drain fittings.	
<b>FREEZING CYLINDER VOLUME</b>	2.1 gallons, 8.4 quarts, 7.9 liters	
<b>HOPPER VOLUME</b>	7 gallons, 28 quarts, 26.5 liters	
<b>OPTIONS/ACCESSORIES</b>	Cup dispensers for use with bottle rack kit. Auto fill kit (2187317) for use with electric Fill-O-Matic II or compressed air Fill-O-Matic III auto fill systems.	

*Continuous research leads to ongoing product improvements, therefore these specifications are subject to change without notice.*

Distributed by:



FOODSERVICE EQUIPMENT

502 Highway 67 • Kiel, WI 53042-1600

920-894-2293 • 800-558-5807

Fax: 920-894-7029

E-mail: [foodservice@stoelting.com](mailto:foodservice@stoelting.com)

[www.stoeltingfoodservice.com](http://www.stoeltingfoodservice.com)

ISO 9001:2000 Registered

Certified, Listed and/or Recognized



0807