

Item No. _____

Model Number: 1617

Description

POP AND SELF SERVE WARMER



Shown is the operator side of the #1617 Pop and Self-Serve Combination Popper and Display Warmer. This unit features the highly dependable Astro 16 kettle. The operator loads the containers on the three display shelves and closes the doors. A single self-closing door on the customer side allow people in the cafeteria line to serve themselves and be shielded completely from the hot kettle. The illuminated dome is reversible – and, in normal use, would face the customer side, not the operator. Special heater blower keeps corn in the containers warm and crisp for self-serve. Neon version available.

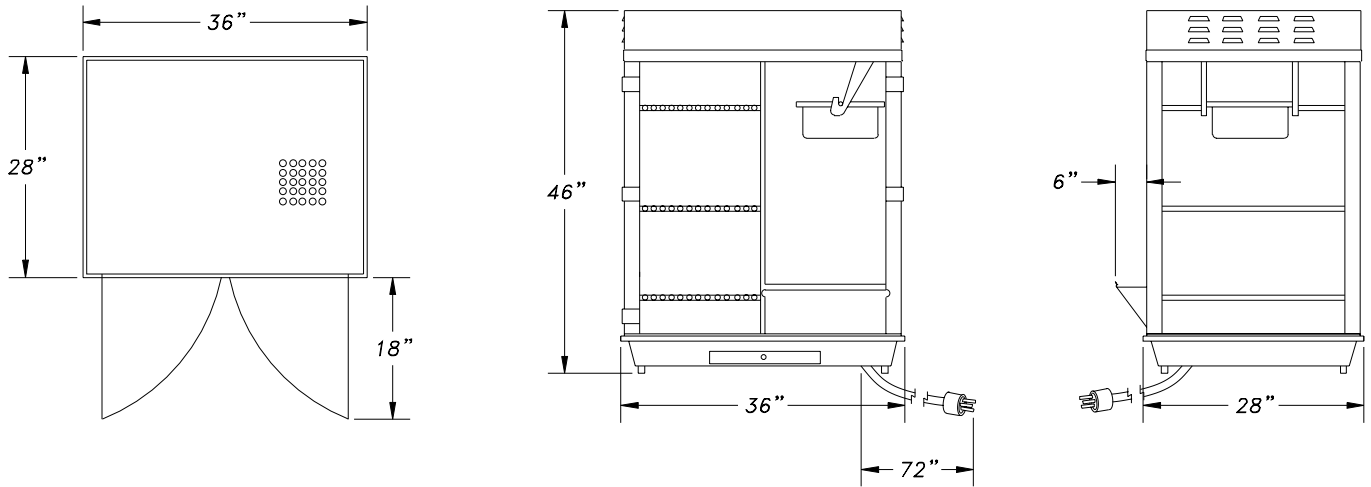


Gold Medal Products Co.

10700 Medallion Drive
Cincinnati, Ohio 45241-4807
E-Mail goldme19@eos.net
Web Site gmpopcorn.com

Phone: (513) 769-7676
(800) 543-0862
Fax: (513) 769-8500
Toll Free Fax (800) 542-1496

Model Number: 1617



Width: 36.00
Length: 28.00
Height: 46.00
Weight:

Pkg Width:
Pkg Length:
Pkg Height:
Pkg Weight:
CU/FT: 0.00

Voltage: 120/208 OR 120/240
AMPS: 29.7
Wattage: 3540

Hertz: 60
Receptacle: L14-30R
Plug Type: L14-30P

Model Variations

Gold Medal Products Co.

10700 Medallion Drive
Cincinnati, Ohio 45241-4807
E-Mail goldme19@eos.net
Web Site gmpopcorn.com

Phone: (513) 769-7676
(800) 543-0862
Fax: (513) 769-8500
Toll Free Fax (800) 542-1496