

Item No. _____

Model Number: 2003ST

Description

WHIZ BANG W/SS DOME



This "Salesmaker" features the heavily chrome plated steel kettle mounted in the extra strong cast aluminum twin hanger arms. Removable kettle for easy cleaning. Ideal for Caramel Lite or other Glaze Pop or sugar coated corn. The "top of the line" 12 ounce kettle popper in the industry.

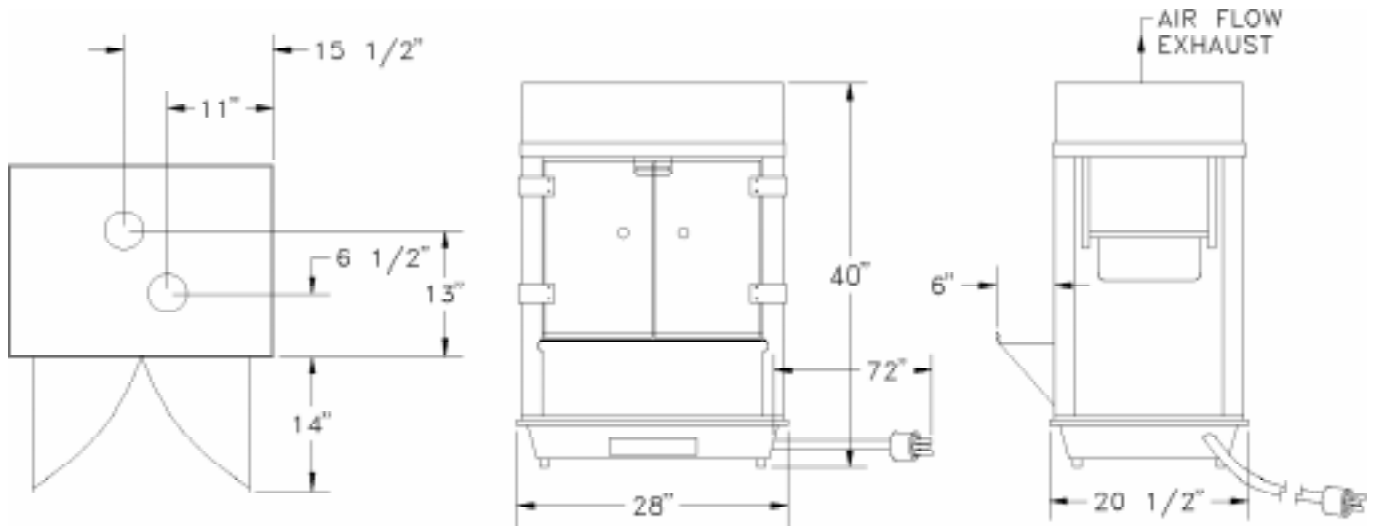


Gold Medal Products Co.

10700 Medallion Drive
Cincinnati, Ohio 45241-4807
E-Mail goldme19@eos.net
Web Site gmpopcorn.com

Phone: (513) 769-7676
(800) 543-0862
Fax: (513) 769-8500
Toll Free Fax (800) 542-1496

Model Number: 2003ST



Width: 28.00
Length: 20.50
Height: 40.00
Weight: 105

Pkg Width: 29.00
Pkg Length: 21.00
Pkg Height: 45.00
Pkg Weight: 104.00
CU/FT: 15.86

Voltage: 120
AMPS: 20
Wattage: 2400

Hertz: 60
Receptacle: 5-15R
Plug Type: 5-15P

Model Variations

Gold Medal Products Co.

10700 Medallion Drive
Cincinnati, Ohio 45241-4807
E-Mail goldme19@eos.net
Web Site gmpopcorn.com

Phone: (513) 769-7676
(800) 543-0862
Fax: (513) 769-8500
Toll Free Fax (800) 542-1496