

Item No. _____

Model Number: 2005

Description

DLX WHIZ BANG P/C MACHINE

Same as the Whiz Bang, except, a forced hot air corn freshener system is standard on the deluxe.

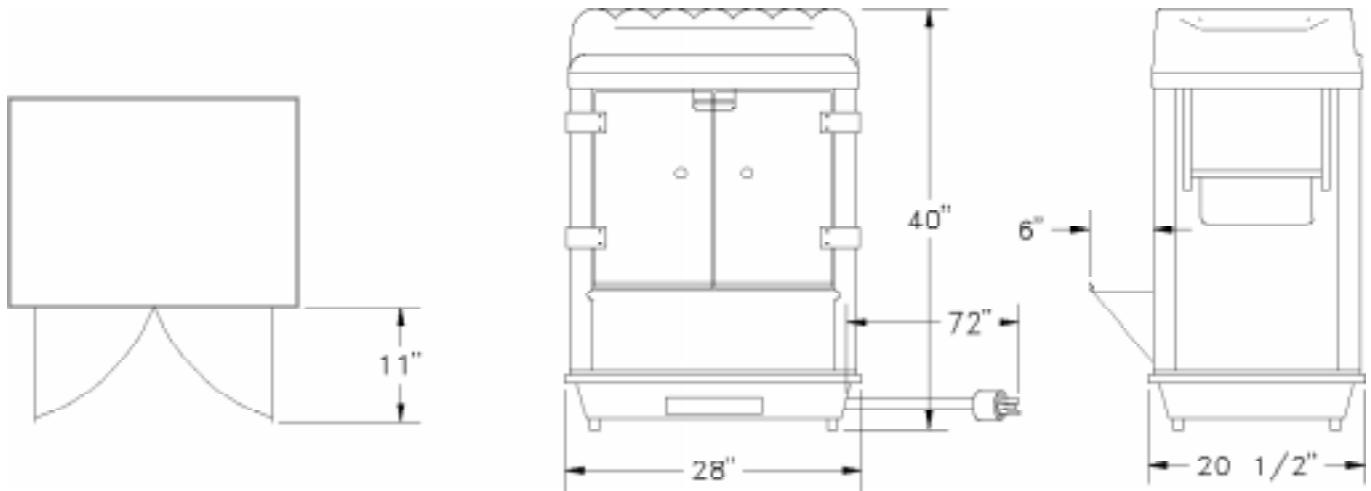


Gold Medal Products Co.

10700 Medallion Drive
Cincinnati, Ohio 45241-4807
E-Mail goldme19@eos.net
Web Site gmpopcorn.com

Phone: (513) 769-7676
(800) 543-0862
Fax: (513) 769-8500
Toll Free Fax (800) 542-1496

Model Number: 2005



Width: 28.00
Length: 20.50
Height: 40.00
Weight: 105

Pkg Width: 29.00
Pkg Length: 21.00
Pkg Height: 45.00
Pkg Weight: 117.00
CU/FT: 15.86

Voltage: 120
AMPS: 23
Wattage: 2800

Hertz: 60
Receptacle: 5-30R
Plug Type: 5-30P

Model Variations

Gold Medal Products Co.

10700 Medallion Drive
Cincinnati, Ohio 45241-4807
E-Mail goldme19@eos.net
Web Site gmpopcorn.com

Phone: (513) 769-7676
(800) 543-0862
Fax: (513) 769-8500
Toll Free Fax (800) 542-1496