

Item No. \_\_\_\_\_

**Model Number:** 2010BP

**Description**

**20 OZ ASTRO THEATR COMPLT**



**KETTLE**

- Removable for easy cleaning.
- Most efficient kettle design in the industry with the right size cook surface for the stated charge of corn.
- Better engineering ensures longer thermostat life.
- 3 minute popping cycle ensures maximum expansion – maximum sales per 50 lbs. of corn!
- The least “fall-out” of poppable kernels in the industry.

**CABINET**

- Unique 3-stage “power exhaust filter” system includes washable components – no need to have grease spots on the ceiling with Gold Medal machines.
- Best corn freshening system on the market – keep the corn hot – even with the doors open.
- Twin 250 watt heat lamps for additional corn freshening.
- Base unit takes a #2114 Accumeter Bucket Pump system or #2257H Bag-In-A-Box System.

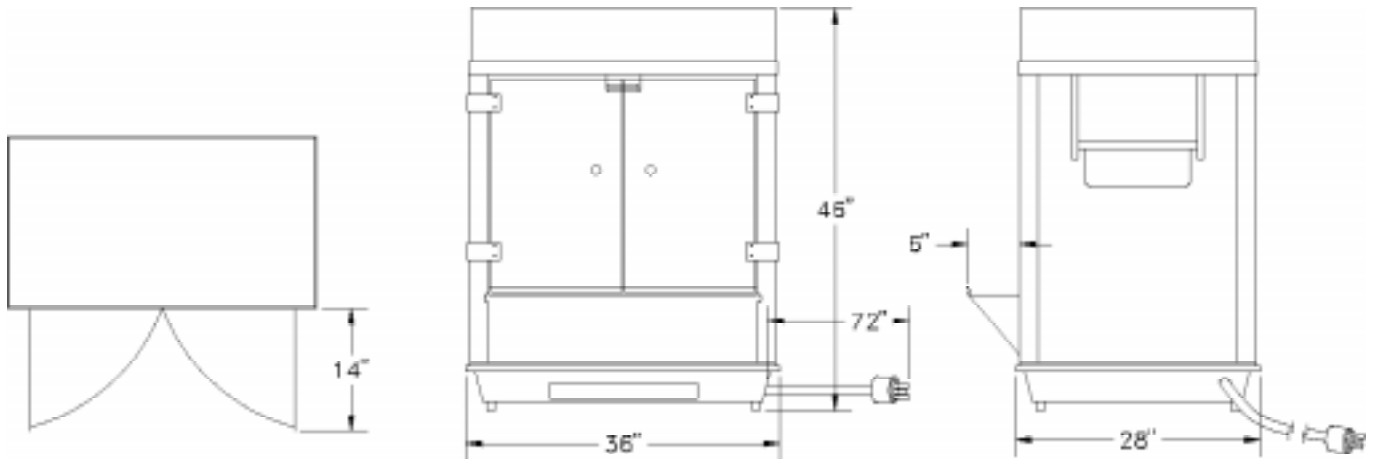


**Gold Medal Products Co.**

10700 Medallion Drive  
Cincinnati, Ohio 45241-4807  
E-Mail [goldme19@eos.net](mailto:goldme19@eos.net)  
Web Site [gmpopcorn.com](http://gmpopcorn.com)

Phone: (513) 769-7676  
(800) 543-0862  
Fax: (513) 769-8500  
Toll Free Fax (800) 542-1496

Model Number: 2010BP



Width: 36.00  
Length: 28.00  
Height: 46.00  
Weight: 193

Pkg Width: 39.50  
Pkg Length: 31.00  
Pkg Height: 81.00  
Pkg Weight: 218.00  
CU/FT: 57.40

Voltage: 120/208 OR 120/240  
AMPS: 16  
Wattage: 3840

Hertz: 60  
Receptacle: L14-20R  
Plug Type: L14-20P

**Model Variations**

**Gold Medal Products Co.**

10700 Medallion Drive  
Cincinnati, Ohio 45241-4807  
E-Mail [goldme19@eos.net](mailto:goldme19@eos.net)  
Web Site [gmpopcorn.com](http://gmpopcorn.com)

Phone: (513) 769-7676  
(800) 543-0862  
Fax: (513) 769-8500  
Toll Free Fax (800) 542-1496