

Item No. _____

Model Number: 2105

Description
20 OZ CORNADO UNIT

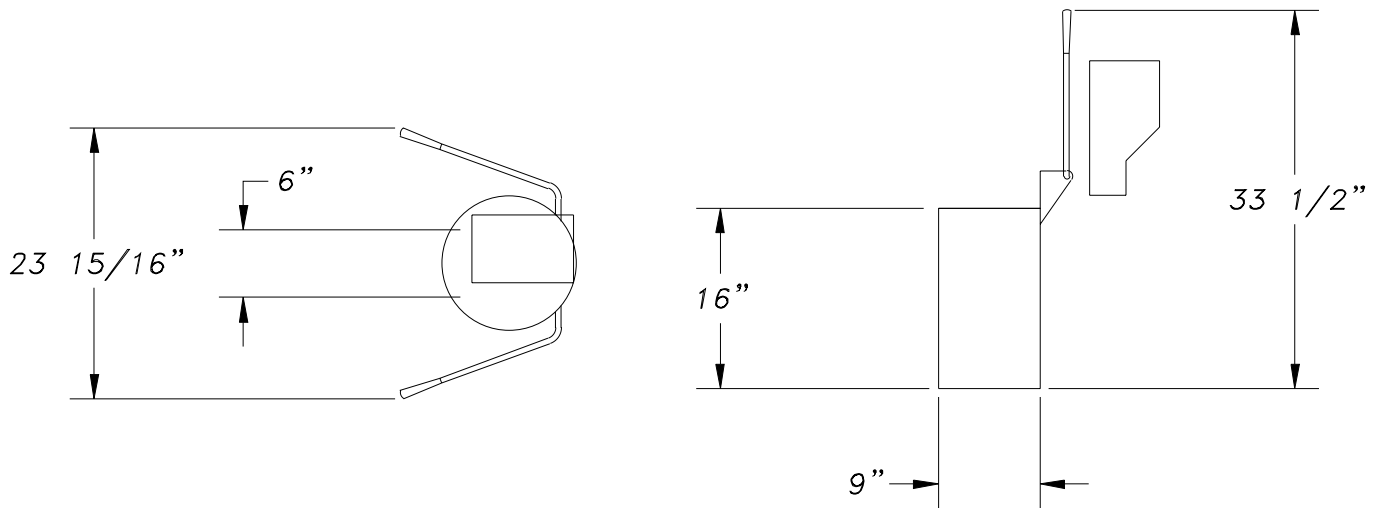


Gold Medal Products Co.

10700 Medallion Drive
Cincinnati, Ohio 45241-4807
E-Mail goldme19@eos.net
Web Site gmpopcorn.com

Phone: (513) 769-7676
(800) 543-0862
Fax: (513) 769-8500
Toll Free Fax (800) 542-1496

Model Number: 2105



Width: 24.00
Length: 25.00
Height: 37.00
Weight: 99

Pkg Width: 25.00
Pkg Length: 26.00
Pkg Height: 37.00
Pkg Weight: 104.00
CU/FT: 13.92

Voltage: 120/208 OR 120/240
AMPS: 18
Wattage: 3750

Hertz: 60
Receptacle: L14-20R
Plug Type: L14-20P

Model Variations

Gold Medal Products Co.

10700 Medallion Drive
Cincinnati, Ohio 45241-4807
E-Mail goldme19@eos.net
Web Site gmpopcorn.com

Phone: (513) 769-7676
(800) 543-0862
Fax: (513) 769-8500
Toll Free Fax (800) 542-1496