

Item No. _____

Model Number: 2123BN

Description

36 OZ TWIN ENCL CORNADO



For the greatest popping power available anywhere, the Twin Enclosed Cornado wins the contest! Two 36 oz. Cornado Units mounted in a 72" stainless steel cabinet will pop almost 100 lbs. of popcorn an hour. You'll need some fast folks to keep up with this machine. You get twin exhaust systems, two blower/heater systems, and two bucket oil pumps. Has two lead-ins, one for each popper. Add "BP" to get the Bag-In-A-Box option at a slightly higher cost. All Twin Cornado Poppers are deep well.

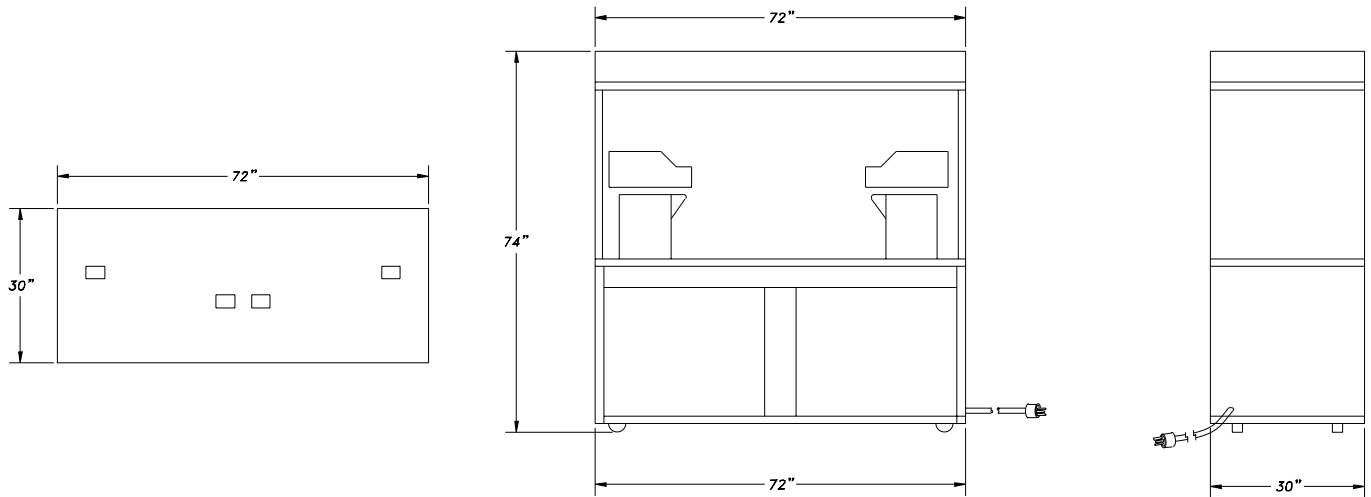


Gold Medal Products Co.

10700 Medallion Drive
Cincinnati, Ohio 45241-4807
E-Mail goldme19@eos.net
Web Site gmpopcorn.com

Phone: (513) 769-7676
(800) 543-0862
Fax: (513) 769-8500
Toll Free Fax (800) 542-1496

Model Number: 2123BN



Width: 72.00
Length: 30.00
Height: 74.00
Weight: 702

Pkg Width: 33.00
Pkg Length: 76.50
Pkg Height: 78.00
Pkg Weight: 724.00
CU/FT: 113.95

Voltage: 120/208 OR 120/240
AMPS:
Wattage: 12650

Hertz: 60
Receptacle: L14-30R
Plug Type: L14-30P

Model Variations

Gold Medal Products Co.

10700 Medallion Drive
Cincinnati, Ohio 45241-4807
E-Mail goldme19@eos.net
Web Site gmpopcorn.com

Phone: (513) 769-7676
(800) 543-0862
Fax: (513) 769-8500
Toll Free Fax (800) 542-1496