

Item No. \_\_\_\_\_

**Model Number:** 2131

**Description**

**ANTQ PINTO POP P/C MACH**



All poppers on this page feature the Deluxe 8 oz. "E-Z Kleen" kettle – the heart of perfectly popped popcorn. Five styles of cabinets insure that one is perfect for your location. The #2131 is the extra ruggedly constructed 20 x 20" cabinet – extra height for more display and working room. A real eye catcher hat will help sell more popcorn.

#2015 Two Wheel Cart with #47661 8" Stainless Steel Counter completes the picture – a very profit-able popcorn installation.

The #47661 Counter Top is included at no charge when you order the #2015 and #2131 at the same time.

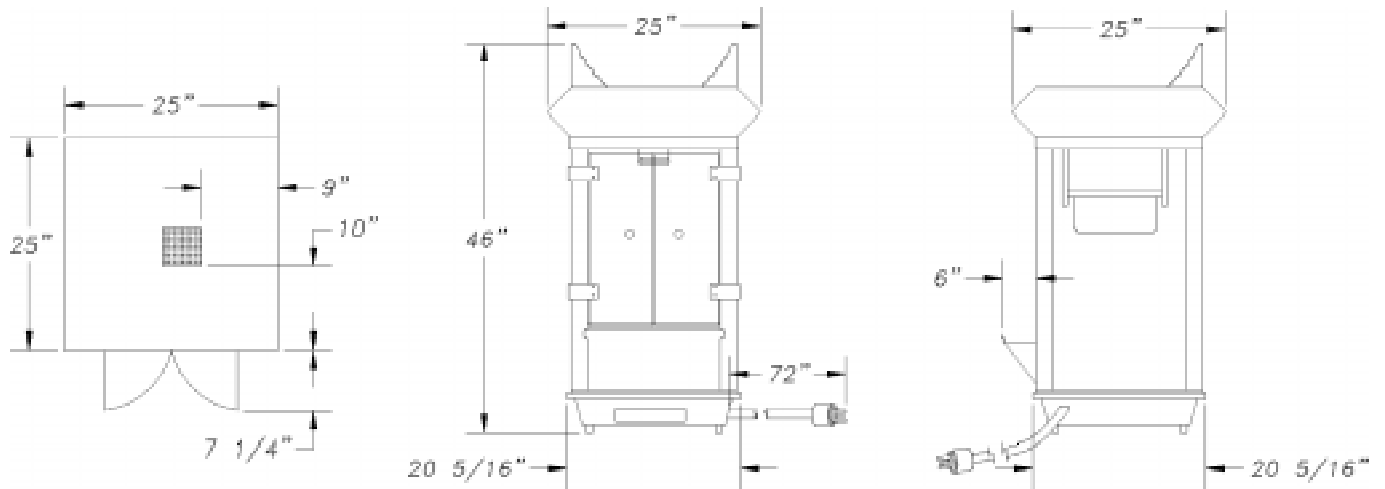


### **Gold Medal Products Co.**

10700 Medallion Drive  
Cincinnati, Ohio 45241-4807  
E-Mail [goldme19@eos.net](mailto:goldme19@eos.net)  
Web Site [gmpopcorn.com](http://gmpopcorn.com)

Phone: (513) 769-7676  
(800) 543-0862  
Fax: (513) 769-8500  
Toll Free Fax (800) 542-1496

Model Number: 2131



Width: 20.25  
Length: 20.25  
Height: 40.00  
Weight: 83

Pkg Width: 28.00  
Pkg Length: 28.00  
Pkg Height: 42.00  
Pkg Weight: 100.00  
CU/FT: 19.06

Voltage: 120  
AMPS: 14.25  
Wattage: 1710

Hertz: 60  
Receptacle: 5-15P  
Plug Type: 5-15R

### Model Variations

## Gold Medal Products Co.

10700 Medallion Drive  
Cincinnati, Ohio 45241-4807  
E-Mail [goldme19@eos.net](mailto:goldme19@eos.net)  
Web Site [gmpopcorn.com](http://gmpopcorn.com)

Phone: (513) 769-7676  
(800) 543-0862  
Fax: (513) 769-8500  
Toll Free Fax (800) 542-1496