

Item No. \_\_\_\_\_

**Model Number:** 2152

**Description**

**BRONCO POP P/C MACHINE**



This is an attractive, attention-getting popper that should last a lifetime. Heavy duty in every respect. The red dome and bright anodized aluminum cabinet should produce popcorn profits for years and years. All Gold Medal deluxe 8 ounce kettle poppers are actually designed to be more durable than any other brand of 6 or 8 ounce kettle machine.

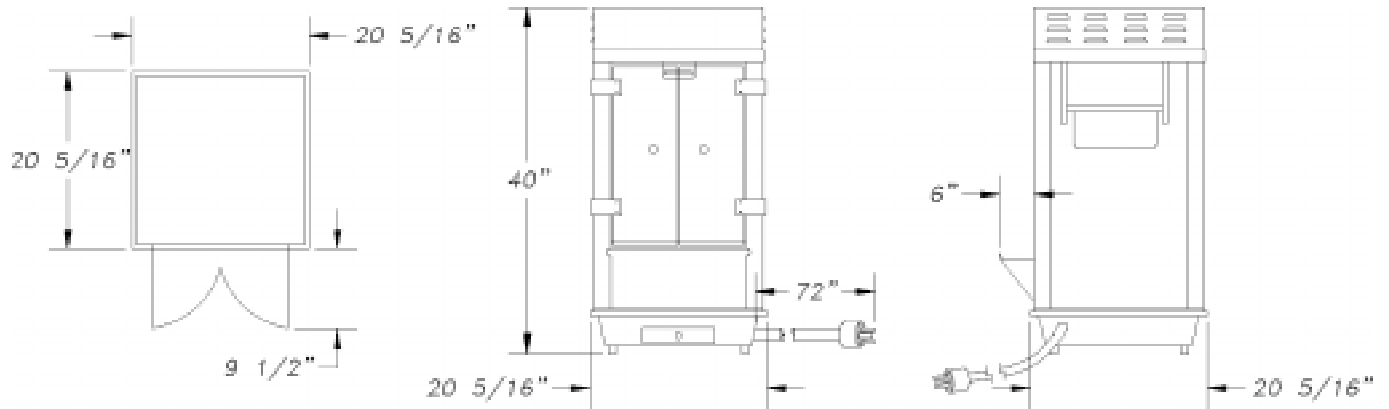


**Gold Medal Products Co.**

10700 Medallion Drive  
Cincinnati, Ohio 45241-4807  
E-Mail [goldme19@eos.net](mailto:goldme19@eos.net)  
Web Site [gmpopcorn.com](http://gmpopcorn.com)

Phone: (513) 769-7676  
(800) 543-0862  
Fax: (513) 769-8500  
Toll Free Fax (800) 542-1496

Model Number: 2152



Width: 20.25  
Length: 20.25  
Height: 40.00  
Weight: 83

Pkg Width: 23.00  
Pkg Length: 23.00  
Pkg Height: 41.00  
Pkg Weight: 87.00  
CU/FT: 12.55

Voltage: 120  
AMPS: 14.3  
Wattage: 1710

Hertz: 60  
Receptacle: 5-15R  
Plug Type: 5-15P

**Model Variations**

**Gold Medal Products Co.**

10700 Medallion Drive  
Cincinnati, Ohio 45241-4807  
E-Mail [goldme19@eos.net](mailto:goldme19@eos.net)  
Web Site [gmpopcorn.com](http://gmpopcorn.com)

Phone: (513) 769-7676  
(800) 543-0862  
Fax: (513) 769-8500  
Toll Free Fax (800) 542-1496