

Item No. _____

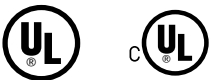
Model Number: 2152ST

Description

BRONCO POP W/ST STL DOME



This is an attractive, attention-getting popper that should last a lifetime. Heavy duty in every respect. The red dome and bright anodized aluminum cabinet should produce popcorn profits for years and years. All Gold Medal deluxe 8 ounce kettle poppers are actually designed to be more durable than any other brand of 6 or 8 ounce kettle machine.

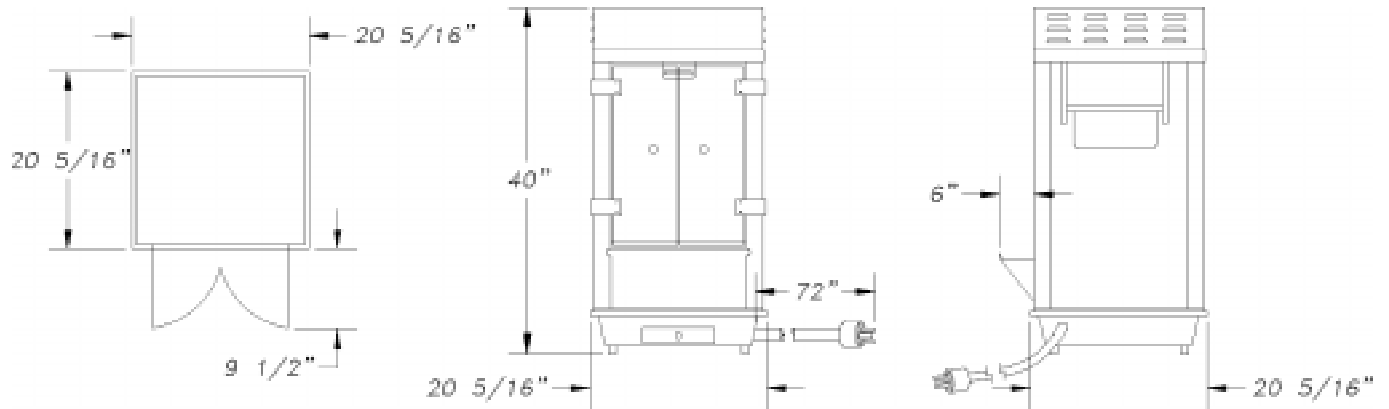


Gold Medal Products Co.

10700 Medallion Drive
Cincinnati, Ohio 45241-4807
E-Mail goldme19@eos.net
Web Site gmpopcorn.com

Phone: (513) 769-7676
(800) 543-0862
Fax: (513) 769-8500
Toll Free Fax (800) 542-1496

Model Number: 2152ST



Width: 20.25
Length: 20.25
Height: 40.00
Weight: 83

Pkg Width: 23.00
Pkg Length: 23.00
Pkg Height: 41.00
Pkg Weight: 87.00
CU/FT: 12.55

Voltage: 120
AMPS: 14.3
Wattage: 1710

Hertz: 60
Receptacle: 5-15R
Plug Type: 5-15P

Model Variations

Gold Medal Products Co.

10700 Medallion Drive
Cincinnati, Ohio 45241-4807
E-Mail goldme19@eos.net
Web Site gmpopcorn.com

Phone: (513) 769-7676
(800) 543-0862
Fax: (513) 769-8500
Toll Free Fax (800) 542-1496