

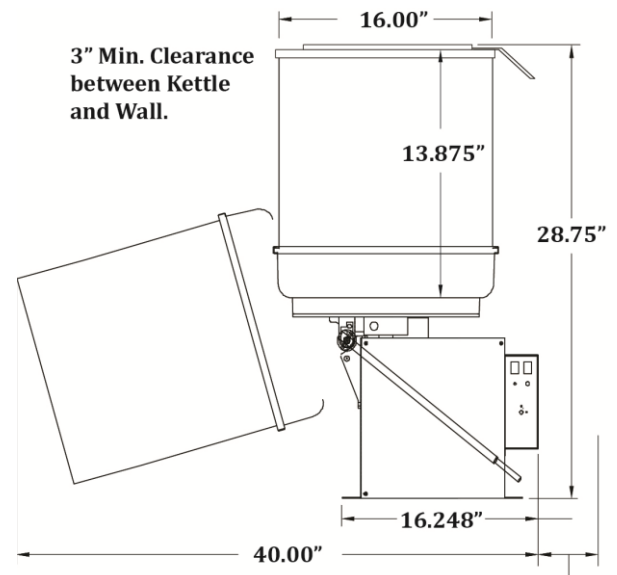
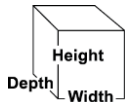


GOLD MEDAL® PRODUCTS CO.

Corn Treat Junior

Model No. 2174EL

Specifications



6" Recommended Min. Clearance between wall and Cntl Box for Service.

General RH Unit shown above for dim. reference.

Overall Dimensions:

- Width:** 40"
- Depth:** 17.25"
- Height:** 28.75"

Reference drawing shown for additional dimensions and clearances required.

Electrical - Domestic

- 120V
- 1836 WATTS 60 Hz
- (NEMA 5-20P) Plug

Features:

- 5 Gallon Capacity (2-3 batches/hour) Corn Treat Jr.
- Left Hand Dump
- Electronic Temperature Control
- Cast Aluminum Kettle with Stainless Steel Drum

Plug Type:



NEMA 5-20P

Agency Approvals:



Gold Medal Products Co.
 10700 Medallion Drive, Cincinnati, OH 45241
 Ph: (513) 769-7676, (800) 543-0862; Fax: (513) 769-8500
 gmpopcorn.com info@gmpopcorn.com

Warranty shall be limited to the repair or replacement of any defective part for a period of six (6) months from the date of sale to the original purchaser with regard to labor and two (2) years with regard to parts and does not cover damage to the equipment caused by accident, alteration, improper use, voltage, abuse, or failure to follow instructions. See official warranty for complete details.