

Item No. \_\_\_\_\_

**Model Number:** 2227

**Description**

**48 OZ X 60 IN CORNADO**



On all Cornado Popcorn Bars the stainless steel base cabinet is standard—they'll look great for years and years. 1000 watt Super Hot Blast warmer is also standard equipment—it'll keep your popcorn really warm and tasty. The famous Cornado kettle is available in 28 oz., 36 oz., and 48 oz. capacities—it features double side-walls, and heat diffuser on kettle bottom to assure even heat and better popping yields. All units are shipped with an Accumeter Bucket Pump system. Add "BP" to item # to get the Bag-In-A-Box option at an additional cost.

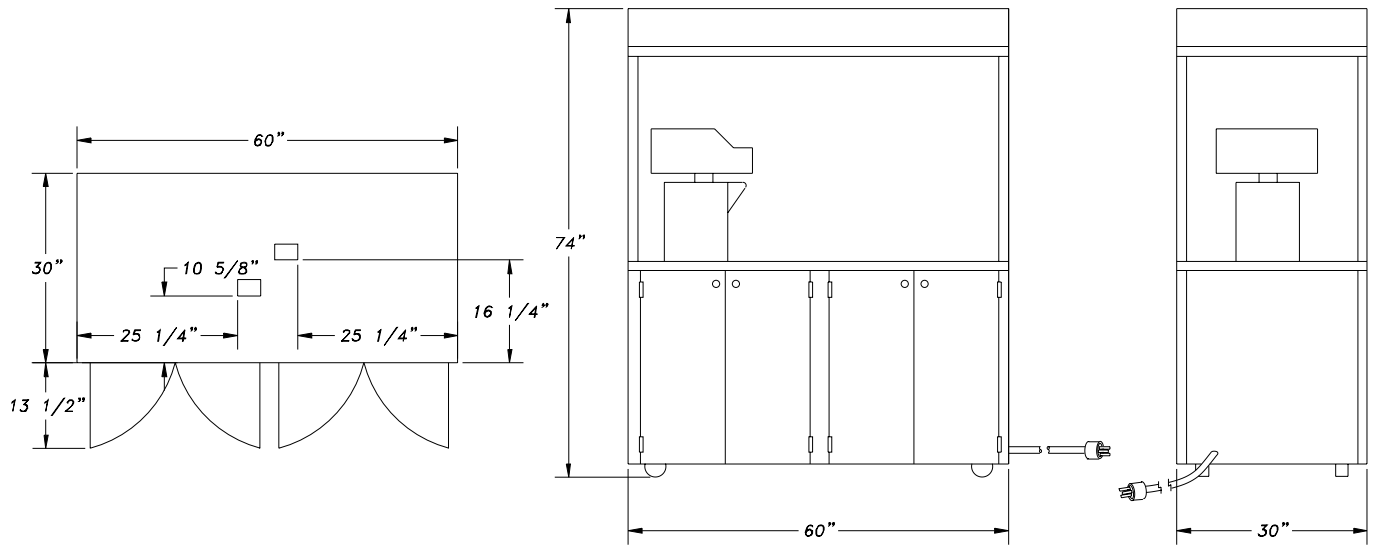


**Gold Medal Products Co.**

10700 Medallion Drive  
Cincinnati, Ohio 45241-4807  
E-Mail [goldme19@eos.net](mailto:goldme19@eos.net)  
Web Site [gmpopcorn.com](http://gmpopcorn.com)

Phone: (513) 769-7676  
(800) 543-0862  
Fax: (513) 769-8500  
Toll Free Fax (800) 542-1496

Model Number: 2227



Width: 30.00  
Length: 48.00  
Height: 67.50  
Weight: 372

Pkg Width: 33.00  
Pkg Length: 51.00  
Pkg Height: 71.00  
Pkg Weight: 411.00  
CU/FT: 69.15

Voltage: 120/208 OR 120/240  
AMPS: 30  
Wattage: 7360

Hertz: 60  
Receptacle: 6-50P  
Plug Type:

**Model Variations**

**Gold Medal Products Co.**

10700 Medallion Drive  
Cincinnati, Ohio 45241-4807  
E-Mail [goldme19@eos.net](mailto:goldme19@eos.net)  
Web Site [gmpopcorn.com](http://gmpopcorn.com)

Phone: (513) 769-7676  
(800) 543-0862  
Fax: (513) 769-8500  
Toll Free Fax (800) 542-1496