

Item No. \_\_\_\_\_

**Model Number:** 2229DW

**Description**

**48 OZ ENCLOSED CORNADO**



The Cornado Popcorn Machines are the result of many years of research to build you the finest popcorn machine available regardless of price. Our steel kettle is the heaviest in the business, with double side-walls for most efficient energy use. The "Equi-Temp" heat diffuser evenly spreads the heat over entire kettle bottom. Also comes equipped with replaceable Chromolox elements and triple thermo-stating for safety. You'll get optimum popping from a Cornado every time — for a long, long time.

Cornado Base Cabinets are made of top grade stainless steel for years of sharp appearance. Large corn bin holds over 50 lbs. of corn. Our Super Hot Blast blower/heater outshines any unit — it keeps corn crisper and hotter. Corn deck and subdeck are all-stainless, too.

Two types of popping oil delivery systems. The bucket pump system is standard. Model number shown below includes the Accumeter Oil Pump System for use with 50 lb. pails of oil.

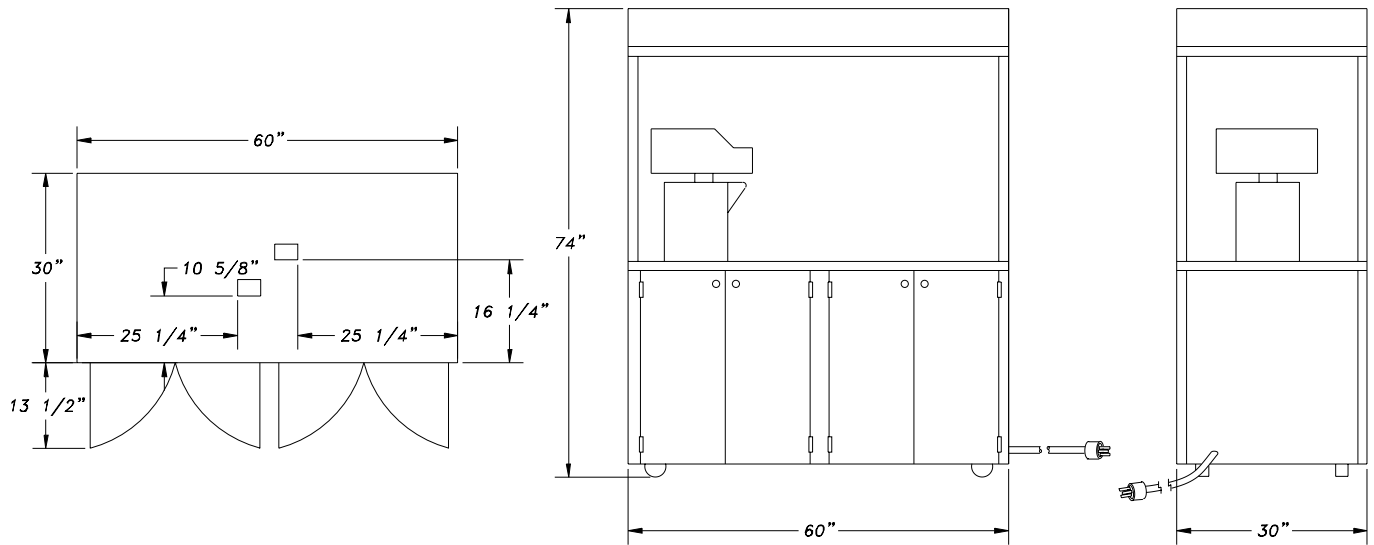


**Gold Medal Products Co.**

10700 Medallion Drive  
Cincinnati, Ohio 45241-4807  
E-Mail [goldme19@eos.net](mailto:goldme19@eos.net)  
Web Site [gmpopcorn.com](http://gmpopcorn.com)

Phone: (513) 769-7676  
(800) 543-0862  
Fax: (513) 769-8500  
Toll Free Fax (800) 542-1496

Model Number: 2229DW



Width: 30.00  
Length: 60.00  
Height: 74.00  
Weight: 415

Pkg Width: 33.00  
Pkg Length: 65.00  
Pkg Height: 78.00  
Pkg Weight: 450.00  
CU/FT: 96.82

Voltage: 120/208 OR 120/240  
AMPS: 35  
Wattage: 7360

Hertz: 60  
Receptacle: 6-50P  
Plug Type:

### Model Variations

## Gold Medal Products Co.

10700 Medallion Drive  
Cincinnati, Ohio 45241-4807  
E-Mail [goldme19@eos.net](mailto:goldme19@eos.net)  
Web Site [gmpopcorn.com](http://gmpopcorn.com)

Phone: (513) 769-7676  
(800) 543-0862  
Fax: (513) 769-8500  
Toll Free Fax (800) 542-1496