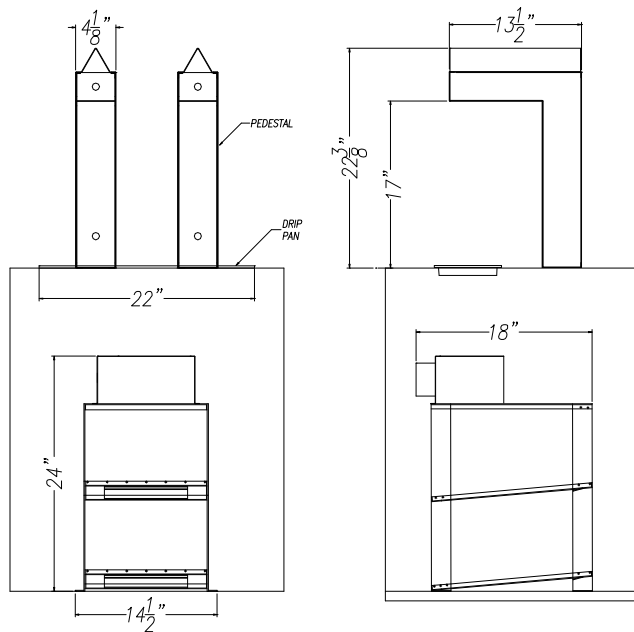


Self-Serve Automatic Popcorn Topping Dispenser – Models 2396A, 2396AD, 2397



Electrical Specifications:

120v 60 Hz.

310 watts / 2.6 amps

15 amp plug (NEMA 5-15P)

Power cord is attached to rack system located in cabinet. The pedestal connects to the rack system with a connector.

2396AD and 2397 Shown Above

Models:

2396A – One Pedestal, and One rack system that holds (2) 35lb boxes of topping

2396AD – Two Pedestals, and One rack system that holds (2) 35lb boxes of topping.

Rack has (2) pumps that dispense from the same

2397 – Stainless Steel Base with doors and casters. 28” deep x 36” wide x 32” high

Includes Stainless Steel Top with mounting holes.

Features:

- Forced air heating system, controls temperature of cabinet to 120 – 130F.
- Foil heater in pedestal assures dispense temperature of 110 – 130F.
- Easy cleaning. Just pump sanitizer to clean.

Agency Approvals: U.L., CUL, U.L. Sanitation

Gold Medal Products Co.

10700 Medallion Drive

Cincinnati, Ohio 45241-4807

Phone: 513-769-7676 fax: 513-769-8500

e-mail: www.gmpopcorn.com

7/15/04