

Item No. _____

Model Number: 2452

Description

BRONCO POP ST STL W/SIGN



A compact version of the #2007ST. Added height creates the same inside working room, for extra operator safety! All these deluxe 8 oz. machines feature the world favorite Gold Medal "E-Z Klean" kettle, plus Chromalox Ring Style Heating Elements.

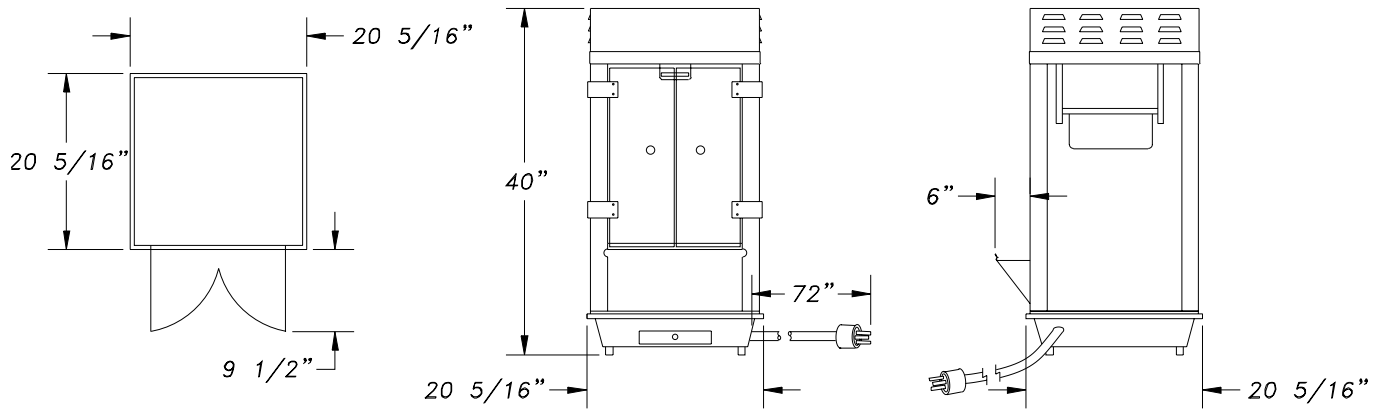


Gold Medal Products Co.

10700 Medallion Drive
Cincinnati, Ohio 45241-4807
E-Mail goldme19@eos.net
Web Site gmpopcorn.com

Phone: (513) 769-7676
(800) 543-0862
Fax: (513) 769-8500
Toll Free Fax (800) 542-1496

Model Number: 2452



Width: 20.25
Length: 20.25
Height: 40.00
Weight: 87

Pkg Width: 23.00
Pkg Length: 23.00
Pkg Height: 41.00
Pkg Weight: 87.00
CU/FT: 12.55

Voltage: 120
AMPS: 13.4
Wattage: 1608

Hertz: 60
Receptacle: 5-15R
Plug Type: 5-15P

Model Variations

Gold Medal Products Co.

10700 Medallion Drive
Cincinnati, Ohio 45241-4807
E-Mail goldme19@eos.net
Web Site gmpopcorn.com

Phone: (513) 769-7676
(800) 543-0862
Fax: (513) 769-8500
Toll Free Fax (800) 542-1496