

Item No. \_\_\_\_\_

**Model Number:** 2489

**Description**

**SUPER 88 P/C MACH W/LS**



A lot of popper for the money. Stamped stainless steel twin arm kettle suspension, 8 ounce kettle, fluorescent back lit "Popcorn" sign helps sell more popcorn.

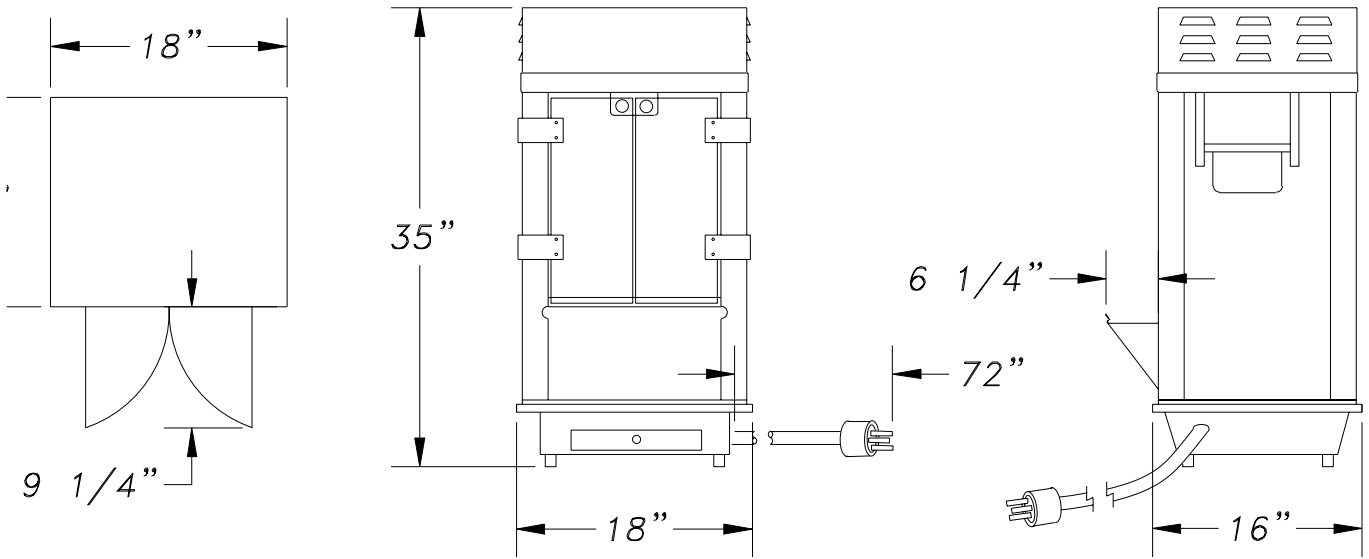


**Gold Medal Products Co.**

10700 Medallion Drive  
Cincinnati, Ohio 45241-4807  
E-Mail [goldme19@eos.net](mailto:goldme19@eos.net)  
Web Site [gmpopcorn.com](http://gmpopcorn.com)

Phone: (513) 769-7676  
(800) 543-0862  
Fax: (513) 769-8500  
Toll Free Fax (800) 542-1496

Model Number: 2489



Width: 18.00  
Length: 16.00  
Height: 35.00  
Weight: 63

Pkg Width: 18.00  
Pkg Length: 20.00  
Pkg Height: 38.00  
Pkg Weight: 69.00  
CU/FT: 7.92

Voltage: 120  
AMPS: 10.4  
Wattage: 1550

Hertz: 60  
Receptacle: 5-15R  
Plug Type: 5-15P

**Model Variations**

**Gold Medal Products Co.**

10700 Medallion Drive  
Cincinnati, Ohio 45241-4807  
E-Mail [goldme19@eos.net](mailto:goldme19@eos.net)  
Web Site [gmpopcorn.com](http://gmpopcorn.com)

Phone: (513) 769-7676  
(800) 543-0862  
Fax: (513) 769-8500  
Toll Free Fax (800) 542-1496