

Item No. _____

Model Number: 2661

Description

"DELUXE 60, ST STL W/SIGN"



Call it the "Ultimate" because that's what it is – "Salesmaker" illuminated top header helps maximize your popcorn sales. Looks a lot like the big theatre models, but on a much smaller scale. The #2661 "Ultimate" has every feature you would want in a small popper.

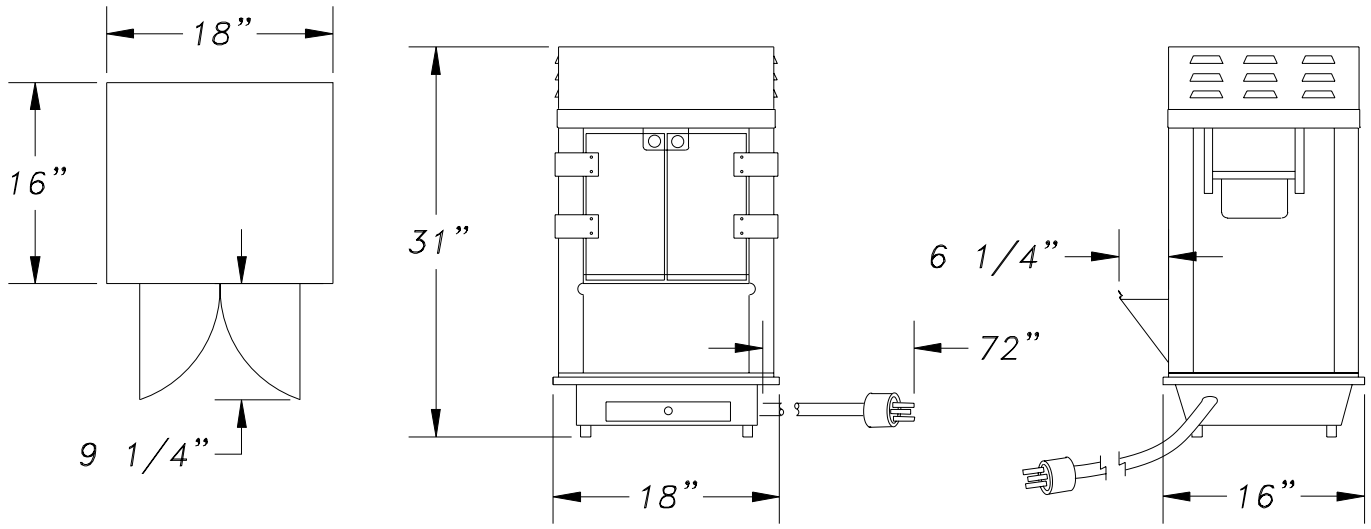


Gold Medal Products Co.

10700 Medallion Drive
Cincinnati, Ohio 45241-4807
E-Mail goldme19@eos.net
Web Site gmpopcorn.com

Phone: (513) 769-7676
(800) 543-0862
Fax: (513) 769-8500
Toll Free Fax (800) 542-1496

Model Number: 2661



Width: 18.00
Length: 16.00
Height: 31.00
Weight: 53

Pkg Width:
Pkg Length:
Pkg Height:
Pkg Weight: 68.00
CU/FT: 0.00

Voltage: 120
AMPS: 10
Wattage: 1250

Hertz: 60
Receptacle: 5-15R
Plug Type: 5-15P

Model Variations

Gold Medal Products Co.

10700 Medallion Drive
Cincinnati, Ohio 45241-4807
E-Mail goldme19@eos.net
Web Site gmpopcorn.com

Phone: (513) 769-7676
(800) 543-0862
Fax: (513) 769-8500
Toll Free Fax (800) 542-1496