

Item No. \_\_\_\_\_

**Model Number:** 3019

**Description**

**TWIN WIND II FLOSS MACH**



The Twin-Wind II is the world's only two-color Cotton Candy Machine that is easy to operate. It produces about as much floss as a Deluxe Whirlwind. The Twin-Wind II makes one color and then the second color in sequence. Be sure to load your darker color to the outside with the lighter shade in the center compartment.

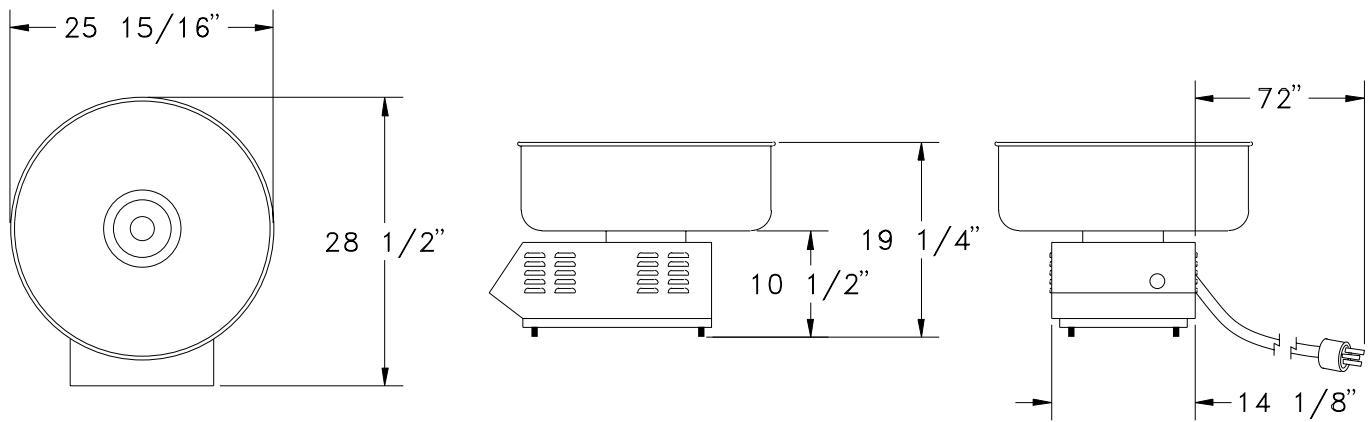


**Gold Medal Products Co.**

10700 Medallion Drive  
Cincinnati, Ohio 45241-4807  
E-Mail [goldme19@eos.net](mailto:goldme19@eos.net)  
Web Site [gmpopcorn.com](http://gmpopcorn.com)

Phone: (513) 769-7676  
(800) 543-0862  
Fax: (513) 769-8500  
Toll Free Fax (800) 542-1496

Model Number: 3019



Width: 26.00  
Length: 26.00  
Height: 18.00  
Weight: 97

Pkg Width: 14.00  
Pkg Length: 14.00  
Pkg Height: 20.00  
Pkg Weight: 98.00  
CU/FT: 2.27

Voltage: 120  
AMPS: 4.5  
Wattage: 540

Hertz: 60  
Receptacle: 5-30R  
Plug Type: 5-30P

**Model Variations**

**Gold Medal Products Co.**

10700 Medallion Drive  
Cincinnati, Ohio 45241-4807  
E-Mail [goldme19@eos.net](mailto:goldme19@eos.net)  
Web Site [gmpopcorn.com](http://gmpopcorn.com)

Phone: (513) 769-7676  
(800) 543-0862  
Fax: (513) 769-8500  
Toll Free Fax (800) 542-1496