

Item No. \_\_\_\_\_

**Model Number:** 5024

**Description**

**4 SQ BELGIAN WAFFLE BAKER**



Gold Medal Waffle Bakers all have a proven track record. 7 1/4" round Belgian Waffles are a super source of profits for Coffee Shops everywhere. Always sell for \$2.00 to \$4.00 more than a regular breakfast waffle. Note the two types of grids – standard and removable.

For specialty locations, the 4" x 4" is a great item for food courts, midways, "dessert trailers" – build it up with ice cream, whip cream, syrup, and a fruit garnish – a 26¢ food cost and a \$2.50 retail.

The Belgian Waffle Boat is typically a Sunday Brunch item – but, can be worked up into a midway concession or food court specialty. All the bakers on this page use the Belvarian One Step Belgian Waffle Mix .

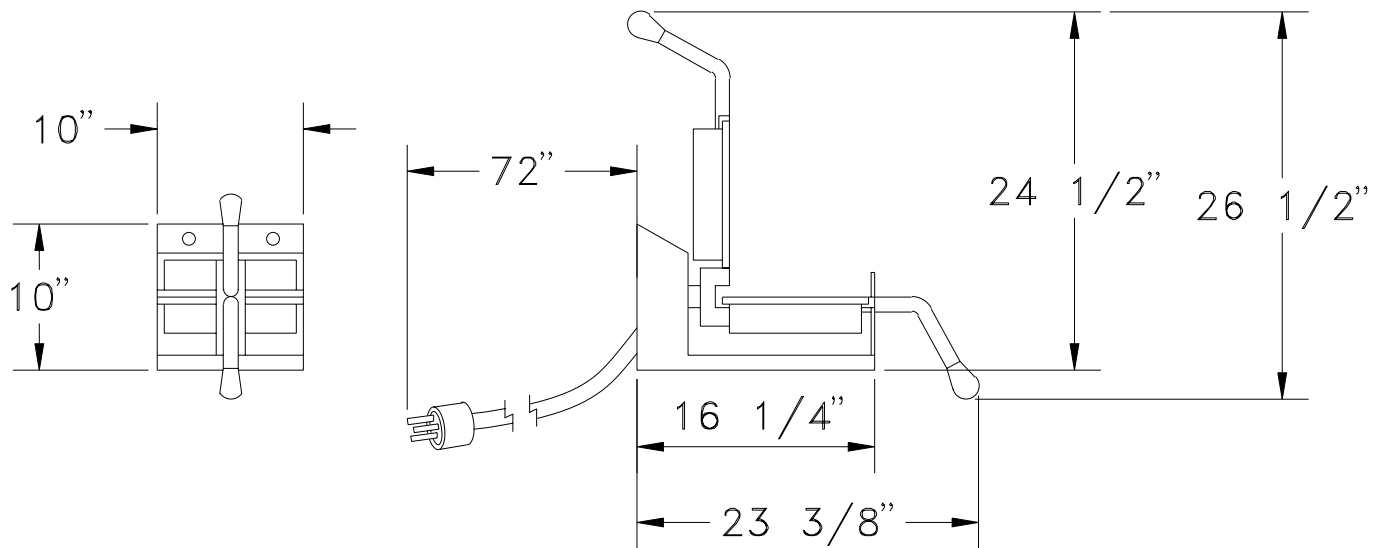


**Gold Medal Products Co.**

10700 Medallion Drive  
Cincinnati, Ohio 45241-4807  
E-Mail [goldme19@eos.net](mailto:goldme19@eos.net)  
Web Site [gmpopcorn.com](http://gmpopcorn.com)

Phone: (513) 769-7676  
(800) 543-0862  
Fax: (513) 769-8500  
Toll Free Fax (800) 542-1496

Model Number: 5024



Width: 10.00  
Length: 25.00  
Height: 26.50  
Weight: 36

Pkg Width:  
Pkg Length:  
Pkg Height:  
Pkg Weight: 40.00  
CU/FT: 0.00

Voltage: 120  
AMPS: 13.8  
Wattage: 1660

Hertz: 60  
Receptacle: 5-15R  
Plug Type: 5-15P

**Model Variations**

**Gold Medal Products Co.**

10700 Medallion Drive  
Cincinnati, Ohio 45241-4807  
E-Mail [goldme19@eos.net](mailto:goldme19@eos.net)  
Web Site [gmpopcorn.com](http://gmpopcorn.com)

Phone: (513) 769-7676  
(800) 543-0862  
Fax: (513) 769-8500  
Toll Free Fax (800) 542-1496