

Item No. _____

Model Number: 5025

Description

4 RD BELGIAN WAFFLE BAKER



Four Round can be a midway dessert. It can be a "foundation" for Eggs Benedict. Make four waffles 3 1/8" diameter x about 1" high with standard Belvarian mix.

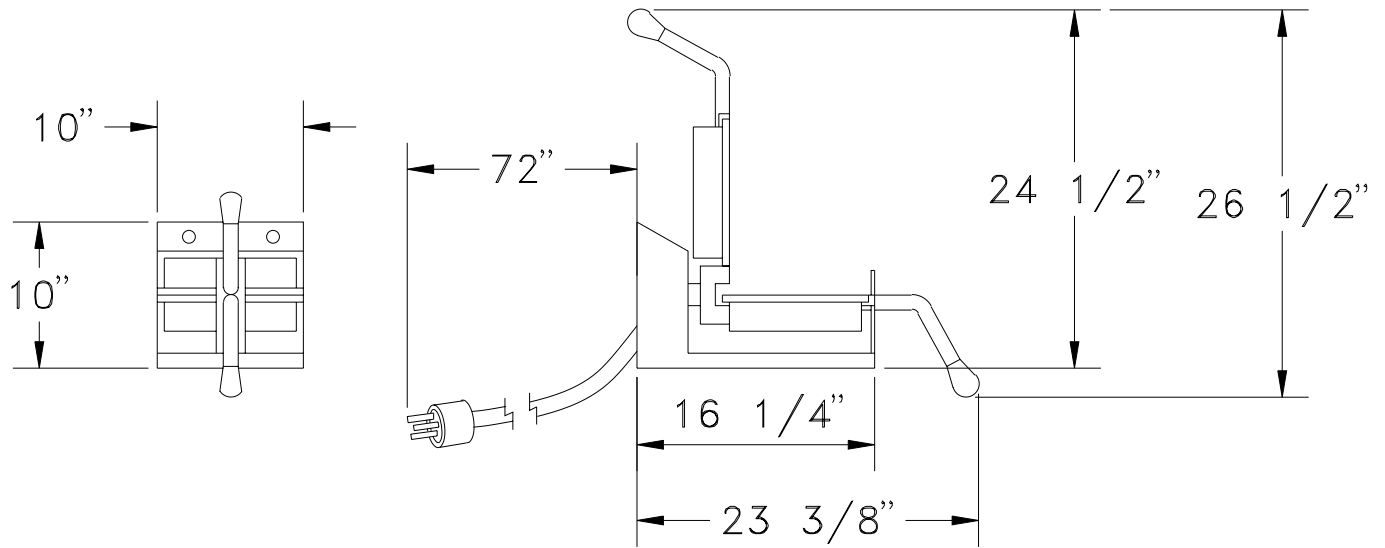


Gold Medal Products Co.

10700 Medallion Drive
Cincinnati, Ohio 45241-4807
E-Mail goldme19@eos.net
Web Site gmpopcorn.com

Phone: (513) 769-7676
(800) 543-0862
Fax: (513) 769-8500
Toll Free Fax (800) 542-1496

Model Number: 5025



Width: 10.00
Length: 25.00
Height: 26.50
Weight: 36

Pkg Width:
Pkg Length:
Pkg Height:
Pkg Weight: 41.00
CU/FT: 0.00

Voltage: 120
AMPS: 13.8
Wattage: 1660

Hertz: 60
Receptacle: 5-15R
Plug Type: 5-15P

Model Variations

Gold Medal Products Co.

10700 Medallion Drive
Cincinnati, Ohio 45241-4807
E-Mail goldme19@eos.net
Web Site gmpopcorn.com

Phone: (513) 769-7676
(800) 543-0862
Fax: (513) 769-8500
Toll Free Fax (800) 542-1496